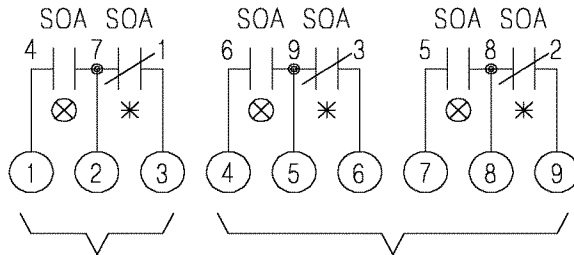
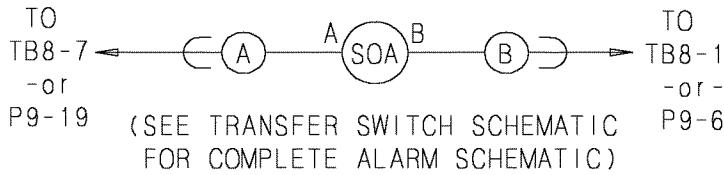


## SCHEMATIC DIAGRAM

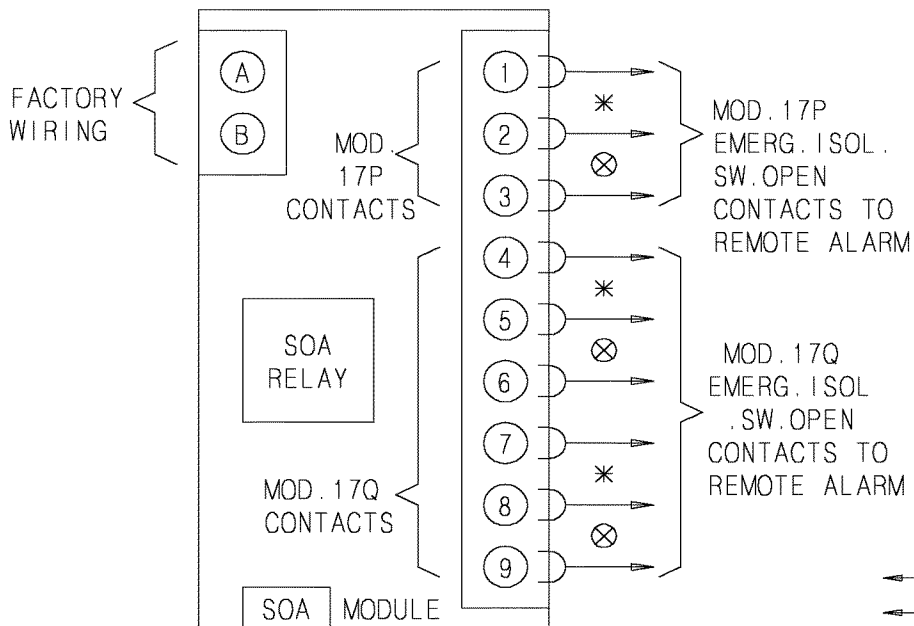
CONTACTS SHOWN IN ALARM (DE-ENERGIZED) STATE



MOD. 17P-AUX. MOD. 17Q-AUX.  
 EMERG. ISOL. SW. OPEN EMERG. ISOL. SW. OPEN  
 REMOTE CONTACTS REMOTE CONTACTS

MAKE & BREAK CONTACT RATINGS
80% P.F. LOAD
10 Amps @ 120 Vac
RESISTIVE LOAD-
10 Amps @ 28 Vdc
1/2 Amp @ 120 Vdc

## WIRING DIAGRAM



← = FIELD WIRING  
 ← = CABINET WIRING

\* -Contacts CLOSE To Alarm  
 ⊗ -Contacts OPEN To Alarm

