

MCYT Wye Delta (Closed) Transfer Switch Fire Pump Controller

MASTER

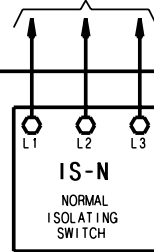
CONTROLLER SUITABLE FOR USE AS SERVICE EQUIPMENT

MASTER Model MCYT Fire Pump Controller

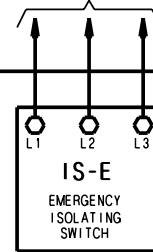
GROUNDING SERVICE CONDUCTOR

GROUNDING ELECTRODE CONDUCTOR

to Normal 3 Ø A.C. Supply



to Emergency 3 Ø A.C. Supply



WARNING SEE NOTE 4

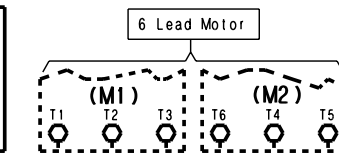
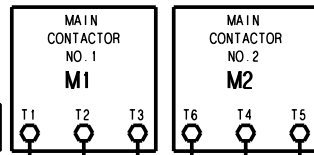
Incoming lugs provided for conductors sized at 125% of Motor FLA (per NFPA-20 & NFPA-70) at their 60 C or 75 C ampacities. Copper conductors recommended.

Typical Wye-Delta Motor Controller Connections (for NEMA Motor Lead Designations)

12 Lead Motor-Series Dual Voltage Motor -Higher Voltage-

12 Lead Motor-Parallel Dual Voltage Motor -Lower Voltage- OR Single Voltage Motor

6 Lead Motor



For 12 Lead (Series) Motor Tie Together Motor Leads T4-T7, T5-T8, T6-T9

For 12 Lead (Parallel) Motor Tie Together Motor Leads T1-T7, T2-T8, T3-T9, T6-T12, T4-T10, T5-T11

A.T.S. shown in the NORMAL SOURCE position.

Emergency Source Isolating Switch (E.I.S.) Supervisory Contacts (shown with E.I.S. OPEN)

E.I.S. Supervisory contacts OVERRIDE Engine Start contacts Opening E.I.S. CANCELS Engine Start Signal

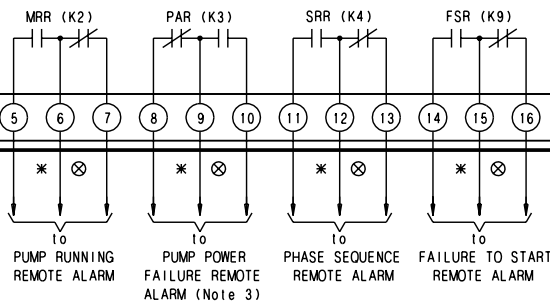
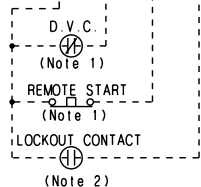
CONTACTS CLOSE when A.T.S. is in NORMAL position. Contacts OPEN (to ALARM) with A.T.S. in EMERGENCY position.

Contacts Close (to ALARM) when A.T.S. is in EMERG. POSITION (Opens in NORMAL position).

OPENS (to ALARM) with E.I.S. OPEN (CLOSED NORMAL) CLOSSES (to ALARM) with E.I.S. OPEN (OPEN NORMAL)

Contacts CLOSE to START ENGINE Contacts OPEN to START ENGINE (CLOSED NORMAL)

* -Contacts CLOSE to ALARM
⊗ -Contacts OPEN to ALARM



- Notes:
- 1) Deluge Valve Maintained Contact(s) & Remote Start (Momentary Contacts are used when Opt. "R" is supplied. Open to start Pump. Contacts Open to Start Pump.
 - 2) Lockout contact (s), used when Mod. 21 is provided. CLOSE to LOCKOUT PUMP.
 - 3) Power Failure Alarm (PAR) contacts (terms 8,9,10) Shown in Alarm State. All others shown Normal (contacts 5 & 6, 8 & 9, 11 & 12, 14 & 15, 17 & 18, and 20 & 21 Close to Alarm. (All Relays Shown De-energized.)
 - 4) Second Utility Option Required (Option "U" or Mod.25-29) when Second Source is a Second Utility.
 - 5) All contact ratings: 1.0 Amp Max. at 28 Vdc.

