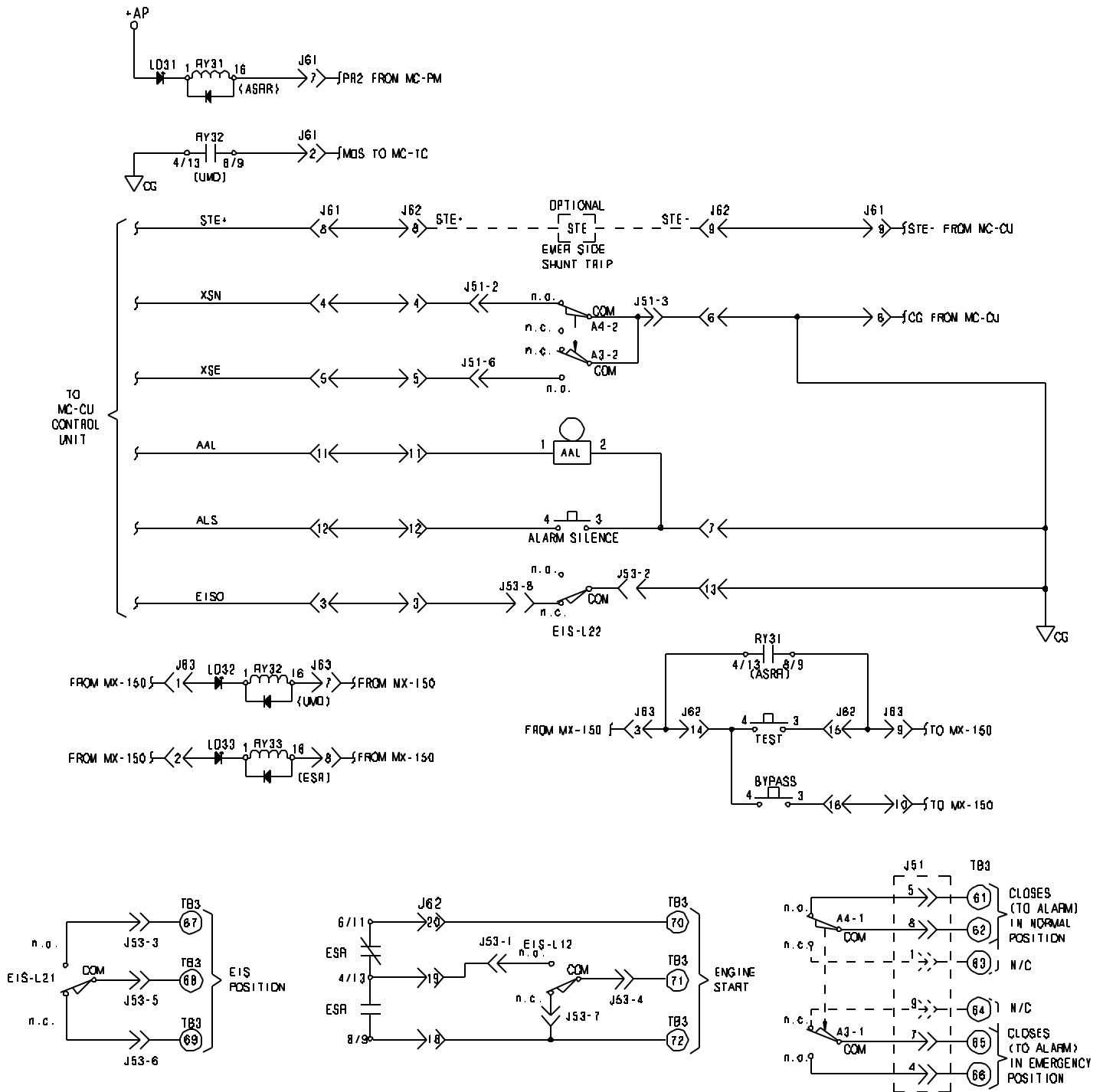


# MC Transfer Switch Control Circuit

# MASTER



**NOTES:**

- TRANSFER SWITCH SHOWN IN NORMAL POSITION
- LIMIT SWITCHES SN.A4-1.A4-2.SE.A3-1 & A3-2 ARE ALL LOCATED ON THE TRANSFER SWITCH POWER PANEL
- \*TEST\* & \*BYPASS\* SWITCH MOMENTARY PUSHBUTTONS SHOWN NORMAL (NOT ACTUATED)
- E.I.S. = EMERGENCY ISOLATING SWITCH
- EIS-L11 -L22 SHOWN NORMAL (E.I.S.OPEN)

➤➤ J51, J52 & J53 Fire Pump Controller pin #'s

➤➤ J61, J62 & J63 EMC-1FB pin #'s

