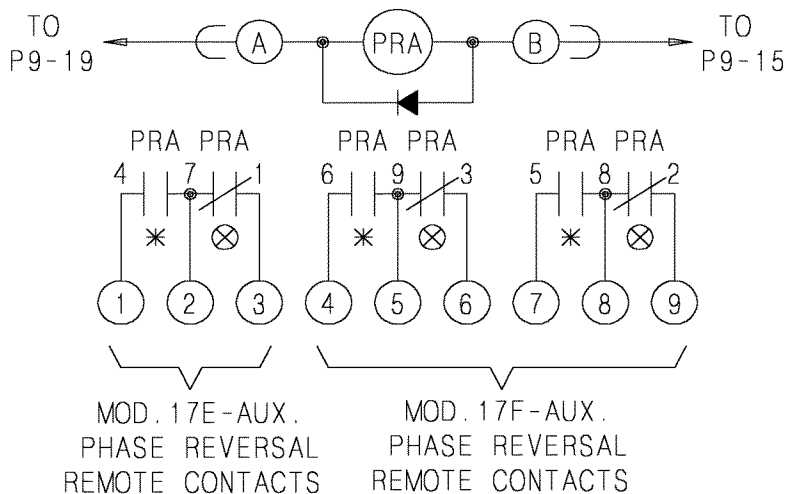


SCHEMATIC DIAGRAM

CONTACTS SHOWN IN NORMAL (NON-ALARM) STATE



MAKE & BREAK CONTACT RATINGS
80% P.F. LOAD
10 Amps @ 120 Vac
RESISTIVE LOAD-
10 Amps @ 28 Vdc
1/2 Amp @ 120 Vdc

← ⊕ =FACTORY WIRING

WIRING DIAGRAM

