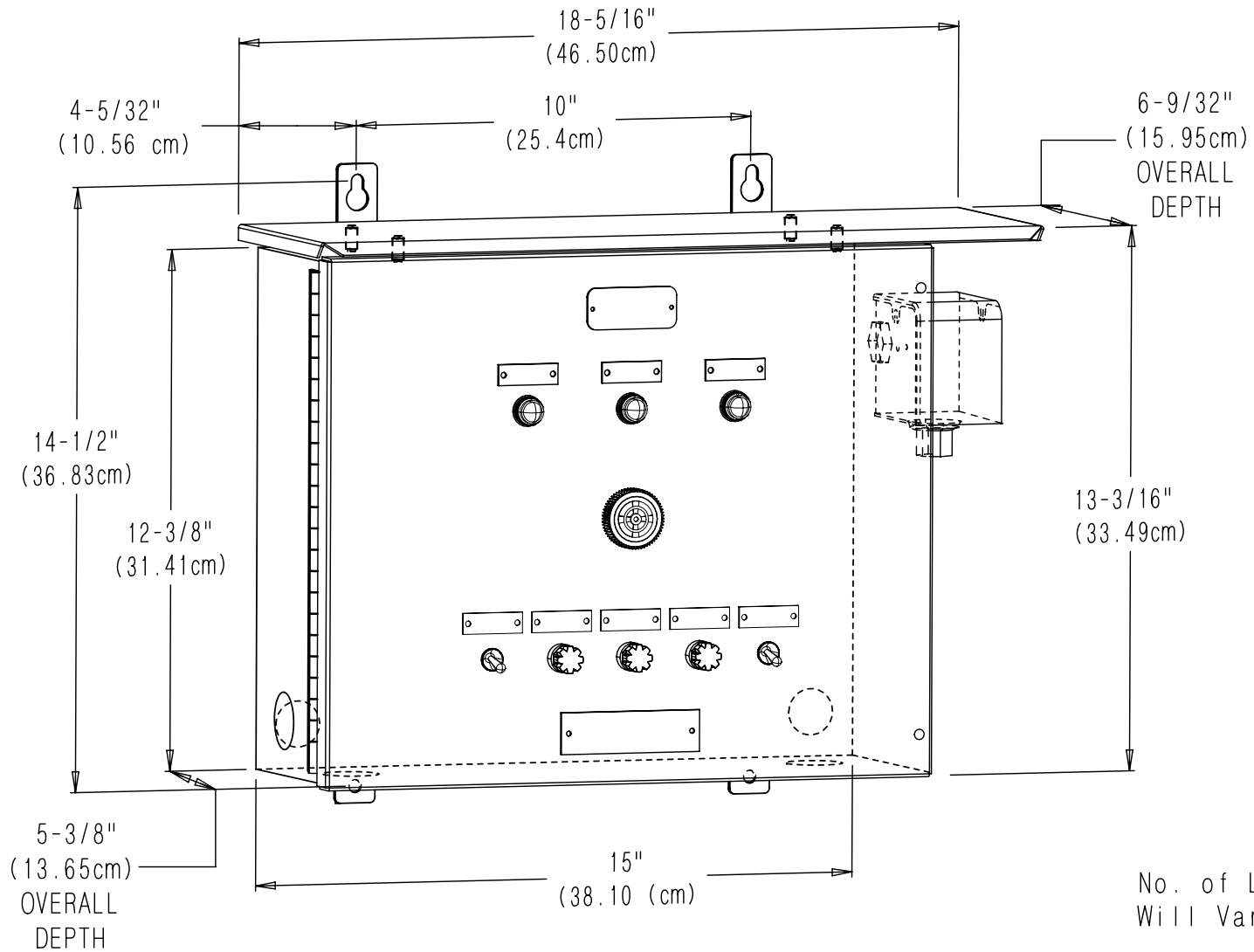


LSSC Low Suction Shutdown Control Panel

MASTER



No. of Lamps and Fuses
Will Vary With Model

Maximum Weight: 15 LBS

SCALE: 1/4" = 1"



Master Control Systems Inc.
LAKE BLUFF, ILLINOIS U.S.A.

LSSC Mounting Dimensions

Date	13 NOVEMBER 2003
Drawing	7769 Issue 2