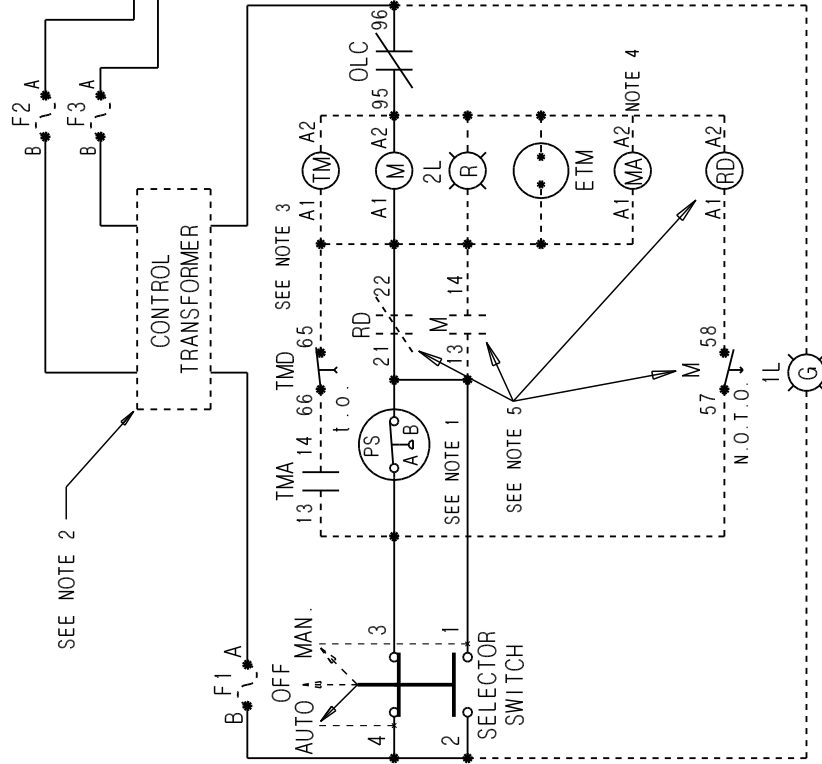
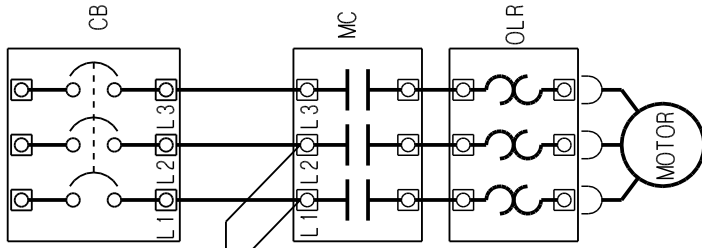


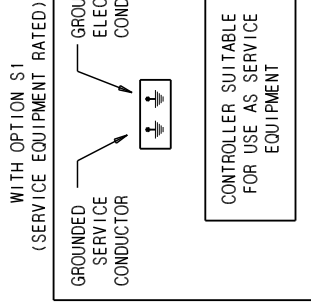
Aux. Motor Run Contacts  
Contact Rating: 10A Max @ 120VAC OR 28VDC  
(TM, MA or RD contacts)

TO 3Ø AC SUPPLY (BRANCH  
CKT. PROTECTION REQ'D.)



NOTES:

1. PRESSURE SWITCH CLOSING ON FALLING PRESSURE.
2. SUPPLIED WITH OPTION 1. FOR XFMR. PRIMARY. SEE LABEL ON WINDING.
3. CONTACT OPENS WHEN TIMER TIMES OUT. SET TIMER TO 1 MIN. FOR EA. 10 HP OR FRACTION THEREOF. MAX. SETTING-3 MIN. (180 SEC.)
4. "MA" SUPPLIED WITH OPTION A1 & A2 WHEN OPTION 2 IS NOT PROVIDED.
5. RD AND ADDITIONAL M CONTACTS SUPPLIED WITH OPT. 4-RESTART DELAY.



- OR -

SYMBOL	DESCRIPTION
CB	CIRCUIT BREAKER
S1	SUITABLE AS SERVICE EQUIPMENT
MC	MOTOR CONTACTOR CONTACTS
OLR	OVERLOAD RELAY
PS	PRESSURE SWITCH
M	MOTOR CONTACTOR COIL
MA	AUX. MOTOR RUN RELAY (NOTE 4)
ETM	RUN TIME METER
OLC	OVERLOAD CONTACTS
1L	POWER ON LAMP (OPTION L2)
2L	PUMP RUNNING LAMP (OPTION L1)
F1	PRIMARY CONTROL CKT. FUSE
F2, 3	SECONDARY CONTROL CKT. FUSES
TM	MINIMUM RUN TIMER RELAY
TMA	MIN. RUN TIMER INST. CONTACT
TMD	MIN. RUN TIMER TIME CONTACT
RD	RESTART DELAY RELAY
(Symbol)	FIELD WIRING
(Symbol)	DENOTES OPTIONAL EQUIPMENT

WIRING DIAGRAM  
SERIES PMC CONTROLLER  
FOR 3Ø PUMP MOTOR  
MASTER CONTROL SYSTEMS INC.  
LAKE BLUFF, ILLINOIS U.S.A.

USED ON	REPLOT	9 MARCH 10
DRN	KWM	DES.
APP.	DATE	14 JAN 10
DWG.	ISS.	1 SHEET 1 OF 1