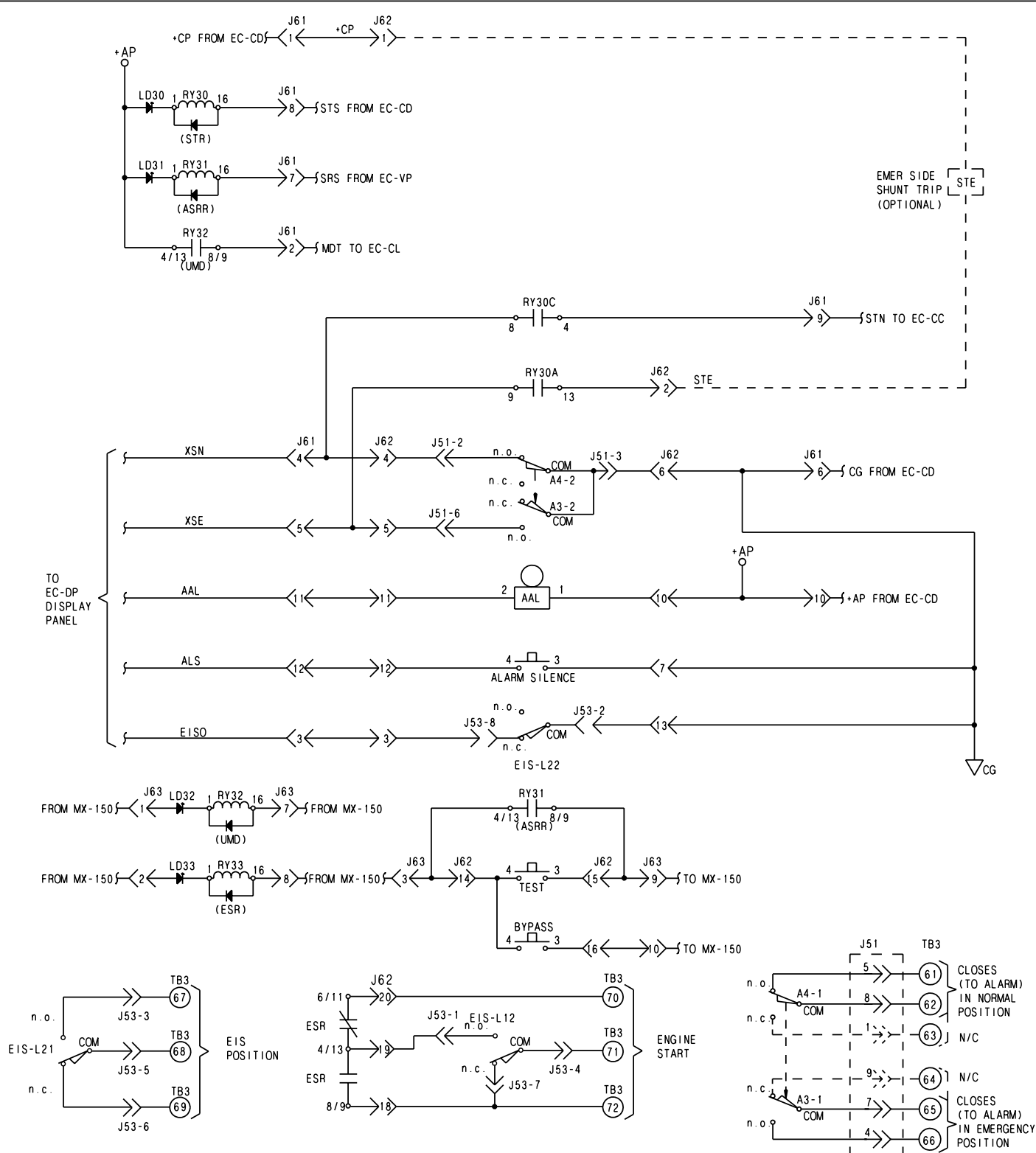


# EC Transfer Switch Control Circuit

**MASTER**



**NOTES:**

TRANSFER SWITCH SHOWN IN NORMAL POSITION  
 LIMIT SWITCHES SN. A4-1, A4-2, SE, A3-1 & A3-2  
 ARE ALL LOCATED ON THE TRANSFER SWITCH  
 POWER PANEL

"TEST" & "BYPASS" SWITCH MOMENTARY  
 PUSHBUTTONS SHOWN NORMAL (NOT ACTUATED)  
 E. I. S. = EMERGENCY ISOLATING SWITCH  
 EIS-L11 -L22 SHOWN NORMAL (E. I. S. OPEN)

➤➤ J51, J52 & J53 Fire Pump  
 Controller pin #'s  
 ➤➤ J61, J62 & J63 EMC-IFB pin #'s