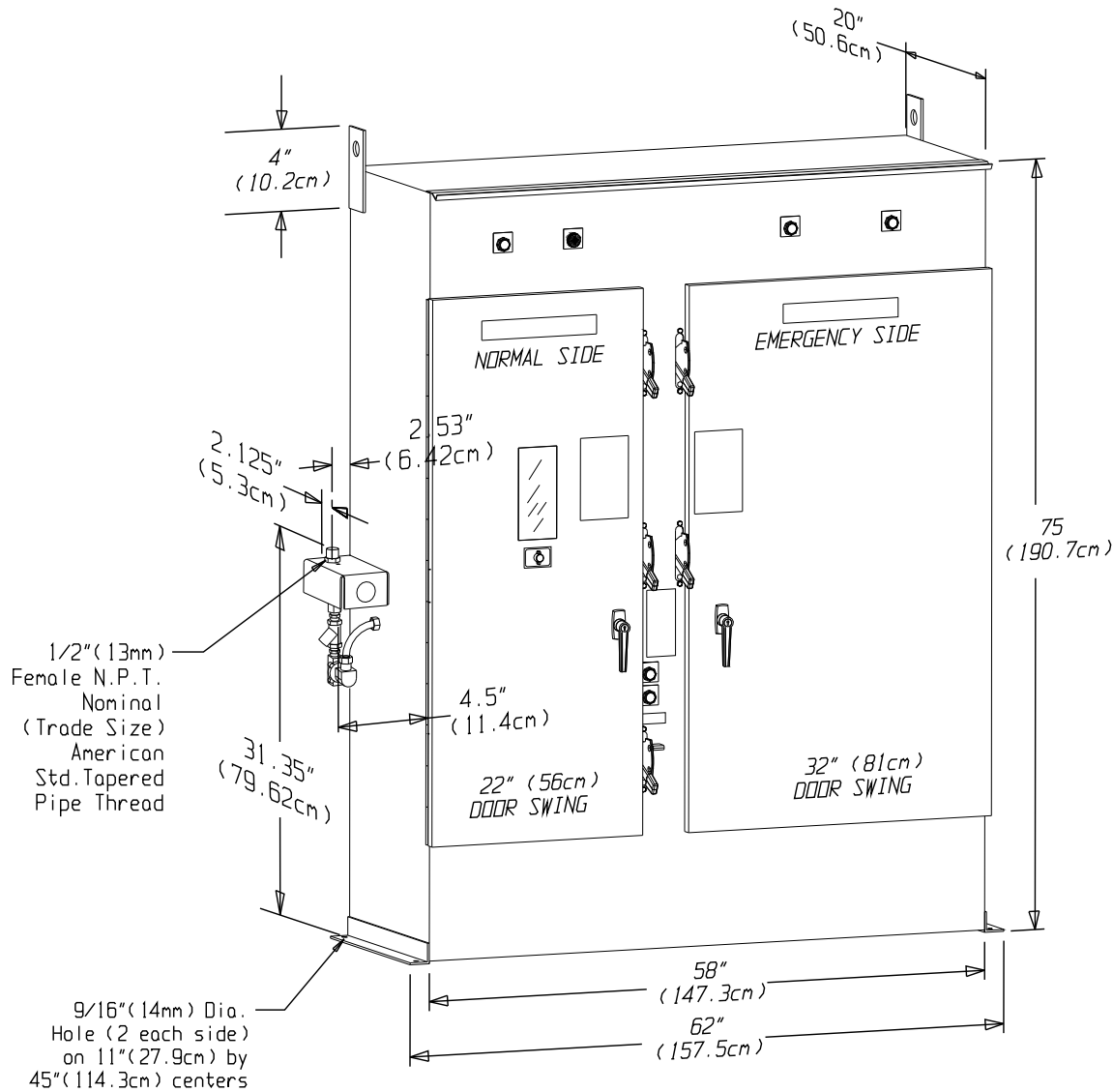


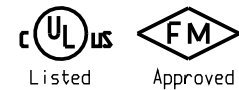
EC Fire Pump Transfer Switch

MASTER



Notes:

- Enclosure: 13 Gauge Sheet Steel
- Finish: Fire Pump Red (Baked Finish)
- Construction: Drip proof, With 3 Point Latch
- Conduit Entrance: Enter conduit on Top Or Bottom. Protect Equipment From Drilling Chips
- Access: Front Only
- Mounting: Floor Mount
- Shipping Weight: 1300 Lbs. (589.7kg) Max.



Max. Withstand Rating	Max. Horsepower				
	200/208	220/240	380/415	440/480	550/600
200,000A	150	200	350	400	400