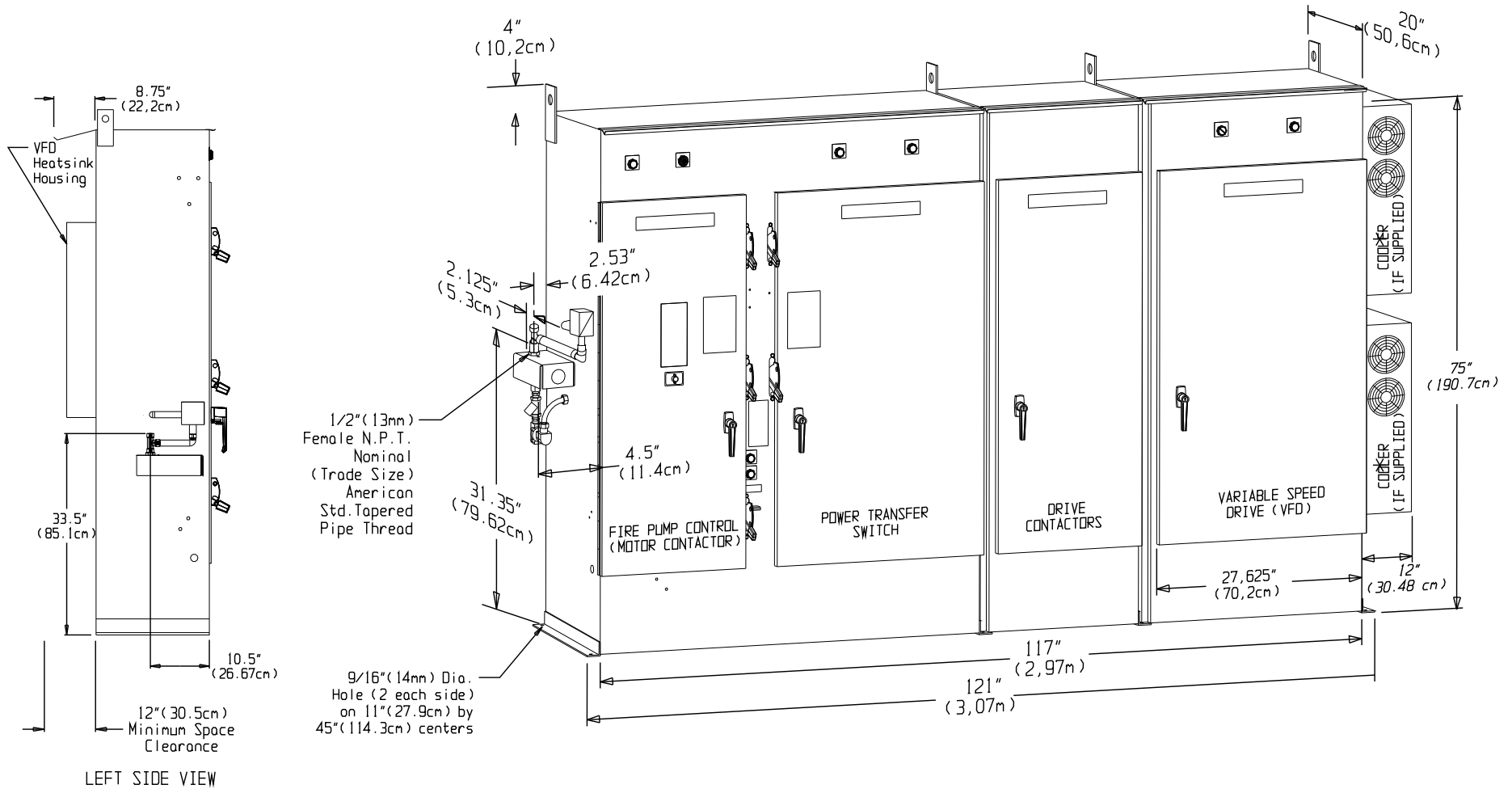


# ECV Automatic Transfer Switch Variable Speed Fire Pump Controller

**MASTER**



## NOTES

- Enclosure: 13 Gauge Sheet Steel
- Finish: Fire Pump Red (Baked Finish)
- Construction: Driptight, With 3 Point Latch
- Knockouts: None; Enter conduit on Top or Bottom. Protect Equipment from Drilling Chips
- Access: Front Only
- Mounting: Floor Mount
- Max. Shipping Weight: 1,750 Lbs. (794 kg)
- Maintain 36" (91.4cm) working clearance front and right side



LISTED



APPROVED



**Master Control Systems Inc.**  
LAKE BLUFF, ILLINOIS U.S.A.

ECV AUTOMATIC TRANSFER SWITCH VARIABLE SPEED  
FIRE PUMP CONTROLLER 4 BAY DIMENSIONAL

Date	18 September 2010	
Drawing	12968	Issue 2