

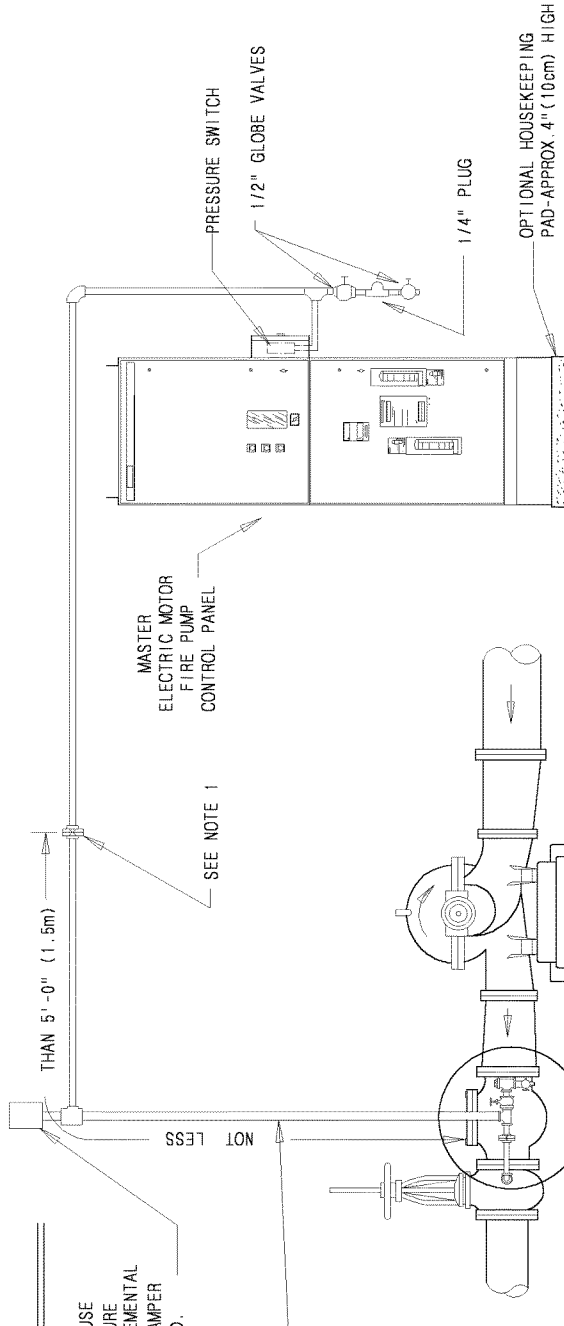
# Piping Connections for Medium Voltage Fire Pump Controllers

# MASTER

## PIPING CONNECTION FOR AUTOMATIC PRESSURE SWITCH

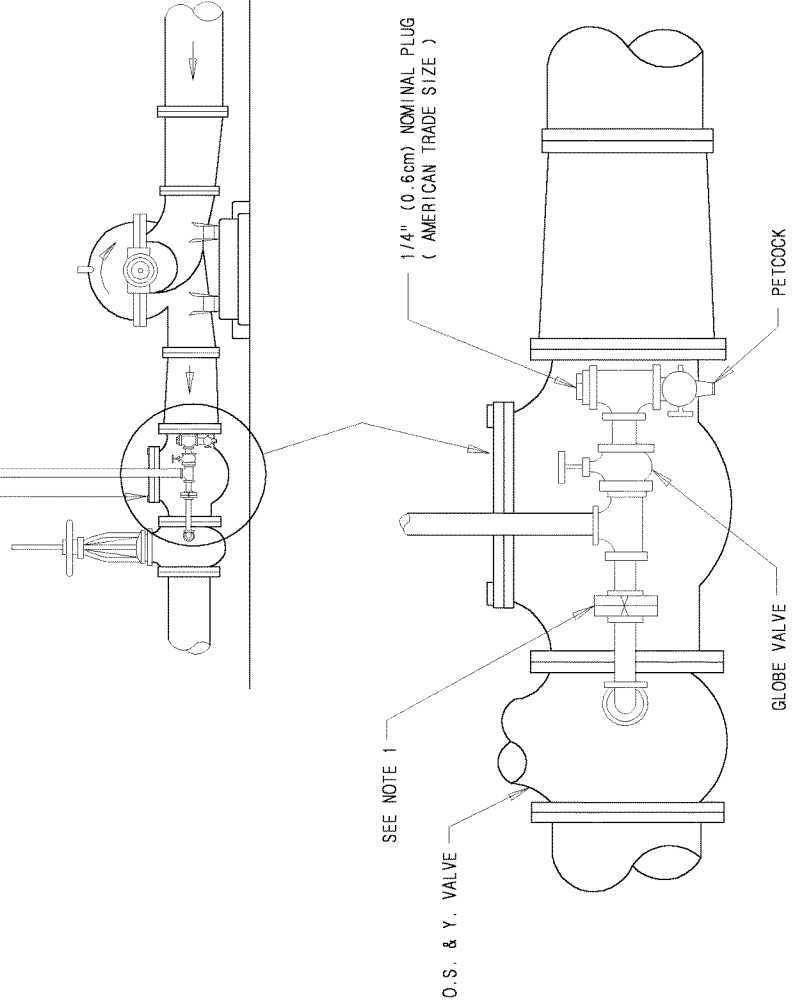
WHERE WATER PULSATIONS CAUSE ERRATIC OPERATION OF PRESSURE SWITCH OR RECORDER A SUPPLEMENTAL AIR CHAMBER OR PULSATION DAMPER (ACCUMULATOR) MAY BE NEEDED.

NOT LESS THAN 1/2" (1.3cm) NOM. (AMERICAN TRADE SIZE) BRASS PIPE WITH BRASS FITTINGS OR EQUIVALENT.



### NOTE

- BRONZE CHECK VALVES, CLAPPER DRILLED WITH 3/32" (.24 mm) HOLE, EXCEPT WHERE WATER IS CLEAN GROUND FACE UNIONS WITH NON-CORROSIVE DIAPHRAM & 3/32" (.24mm) ORIFICE MAY BE USED.



SEE NOTE 1



**Master Control Systems Inc.**  
LAKE BLUFF, ILLINOIS U.S.A.

Piping Connections for Medium Voltage Controllers

Date  
Drawing

15 November 1995  
WB13622 Issue 1