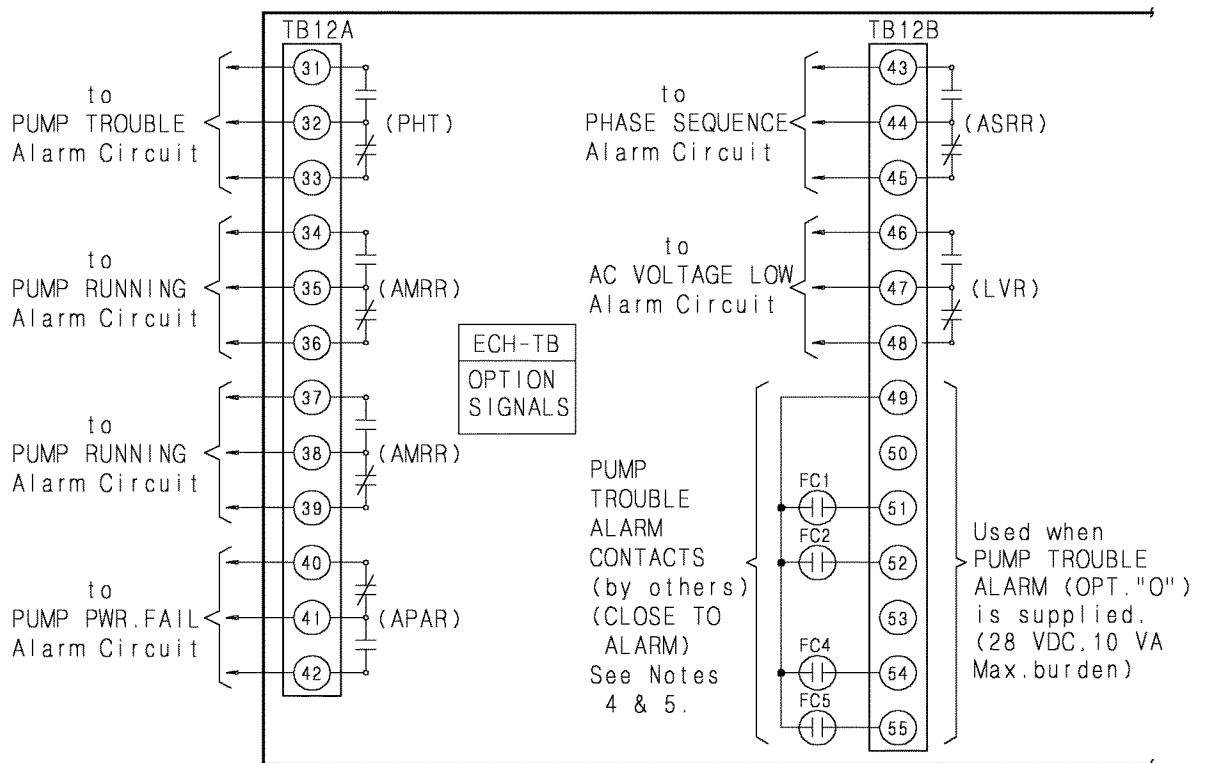


CONTACTS ON TERMINALS

| CLOSE to ALARM | OPEN to ALARM | DESIGNATION | RELAY | OPT./MOD |
|----------------|---------------|--------------|-------|----------|
| 31-32 | 32-33 | PUMP TROUBLE | RY22 | "O" |
| 34-35 | 35-36 | PUMP RUN #2 | RY24 | 17A |
| 37-38 | 38-39 | PUMP RUN #3 | RY24 | 17B |
| 40-41 | 41-42 | PWR.FAIL #2 | RY25 | 17C |
| 43-44 | 44-45 | PHASE SEQ.#2 | RY26 | 17E |
| 46-47 | 47-48 | AC VOLTS LOW | RY23 | "N" |

This chassis is provided when one or more of the following is supplied:

OPT. "O", MOD. 17A, 17B, 17C, 17E, OPT. "N" -or- OPT. "G"; SUPERVISORY POWER LOSS START (RELAY 21)



NOTES:

- 1) All relay contacts shown DE-ENERGIZED.
- 2) All contacts shown in NORMAL STATE except RY25C & D (Term.40-42) which is shown in ALARM state.
- 3) Alarm (S.P.D.T.) contact rating:
5.0 Amps at 115 Vac OR 28 Vdc.
- 4) FC1 Not Used when Option "N" is supplied
FC4 Not Used when Mod 75 is supplied.
- 5) FC3 (Terminal 53) not available
(Factory Connection)

