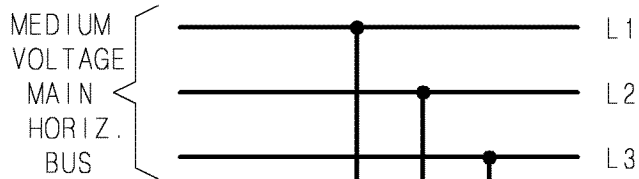


ISSUE	SUMMARY	
1	RELEASE	16 JUNE 98



TO INTERLOCKS

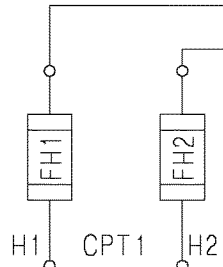
MOTOR CIRCUIT ("R" RATED) FUSES

1 FU
2 FU
3 FU

L1B
L2B
L3B

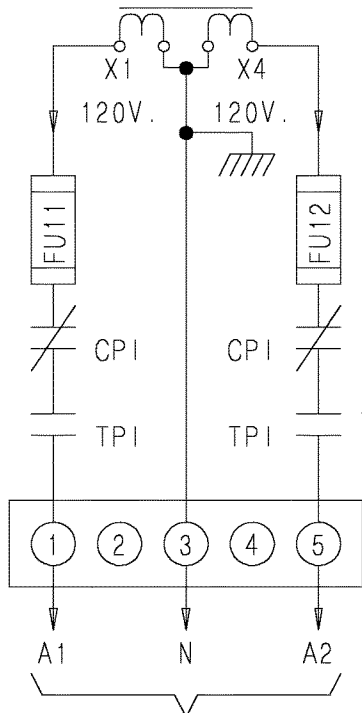
TO PT1 (Under Motor Fuses)

TO "M" MOTOR CONTACTOR



BUS VOLTS: 2.4KV 4.2KV
FH1 & FH2 1 AMP - AMP

FUSE SIZES (0.750KVA CPT1)
FU11 & FU12: 1.0 AMPS .250V. CART.
FH1 & FH2: 5 KV "1E" RATED



TPI CONTACTS SHOWN ACTUATED (ISOLATING SWITCH OPEN)

120/240 VAC OUTPUT
0.100 KVA
(1.0 AMP)
MAX. BURDEN

LEGEND

CPT1 (Aux. Control Power Xfmr.), FH1 & FH2 (Medium Voltage Primary Fuses) are All Located Above Main Bus Compartment Behind Swing-out Panel in Low Voltage Compartment

WIRING DIAGRAM FOR ECH MOD. 33Z WITH 0.750KVA 120/240 VAC CPT		
MASTER CONTROL SYSTEMS INC. LAKE BLUFF, ILLINOIS U.S.A.		
DRN. KWM	REPLT 19 JUNE 98	
APP.	DATE 16 JUNE 98	
DWG. 13687	ISS. 1	SHEET 1 OF 1