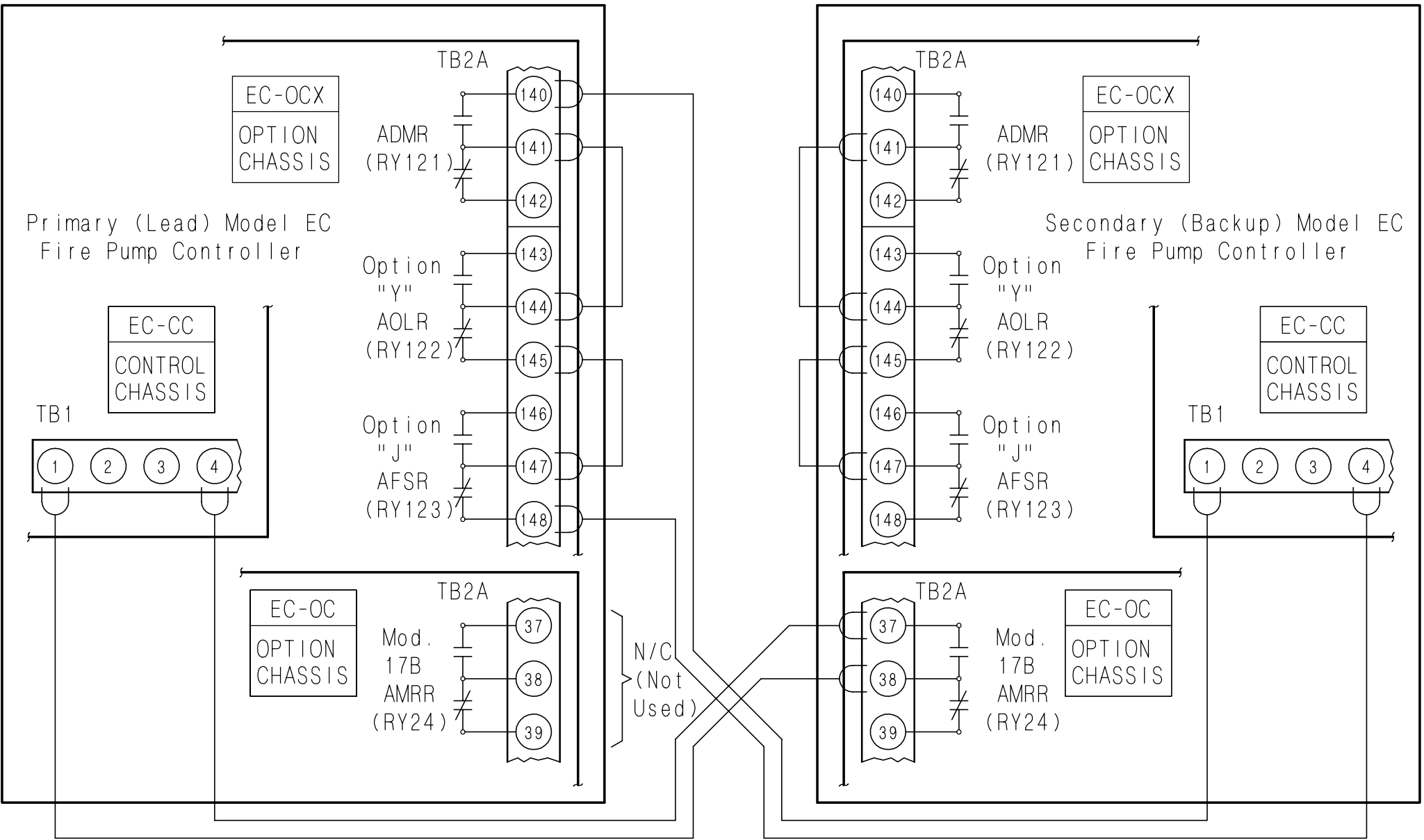


ISSUE	SUMMARY
2	Add Note Mod.21B & Connectors between 141-144 & 145-147 (Primary) BSH 6 AUG. 04



Secondary Lockout Signal to Primary (Lead) Controller (Delayed by Opt. "D" - Sequence Start in Secondary Controller)

Primary Lockout Signal to Secondary (Backup) Controller

MOD. 21B PRIMARY & SECONDARY CONTROLLER INTERLOCKING	
MASTER CONTROL SYSTEMS INC. LAKE BLUFF, ILLINOIS U.S.A.	
USED ON	REPLT 6 AUG. 04
DRN	DES.
APP	DATE 8 FEB. 96
DWG. 12632	ISS. 2 SHEET 1 OF 1