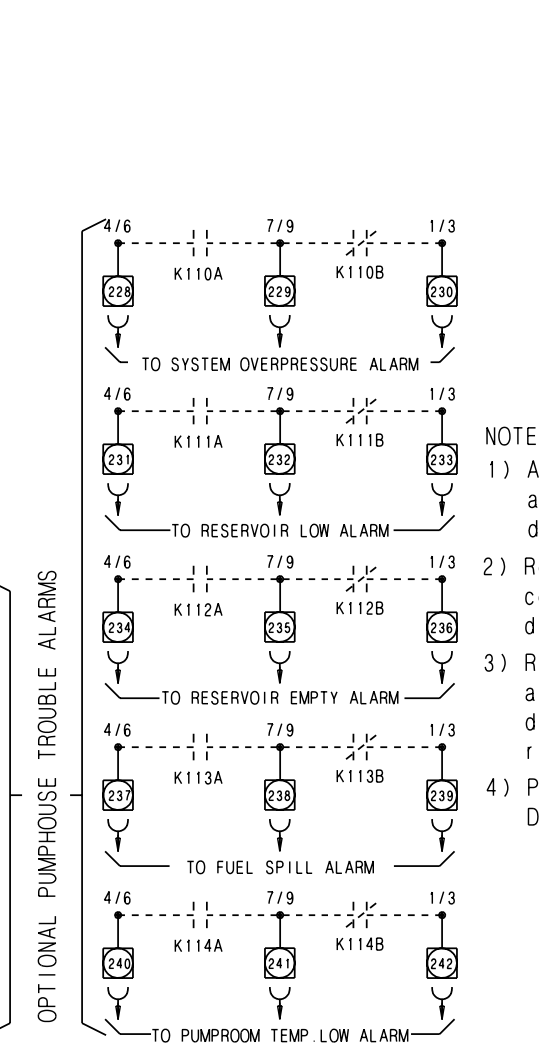
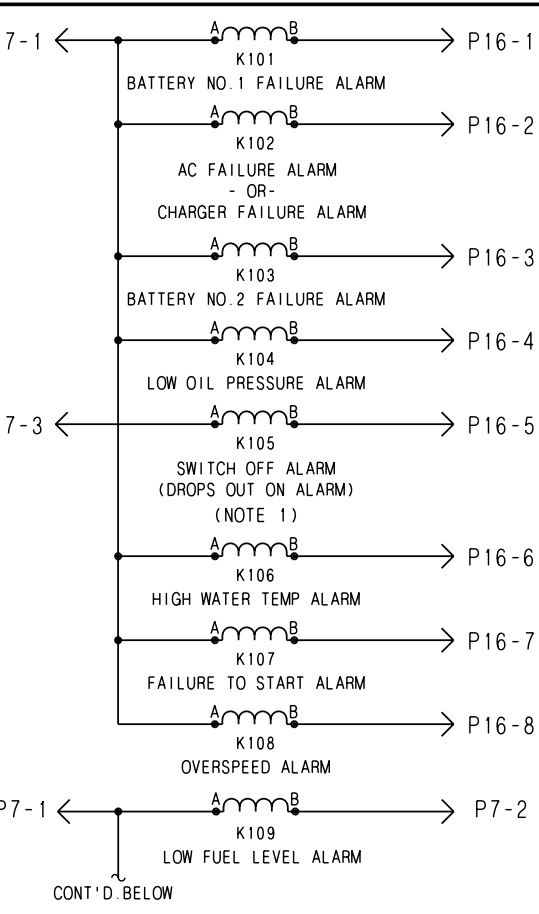
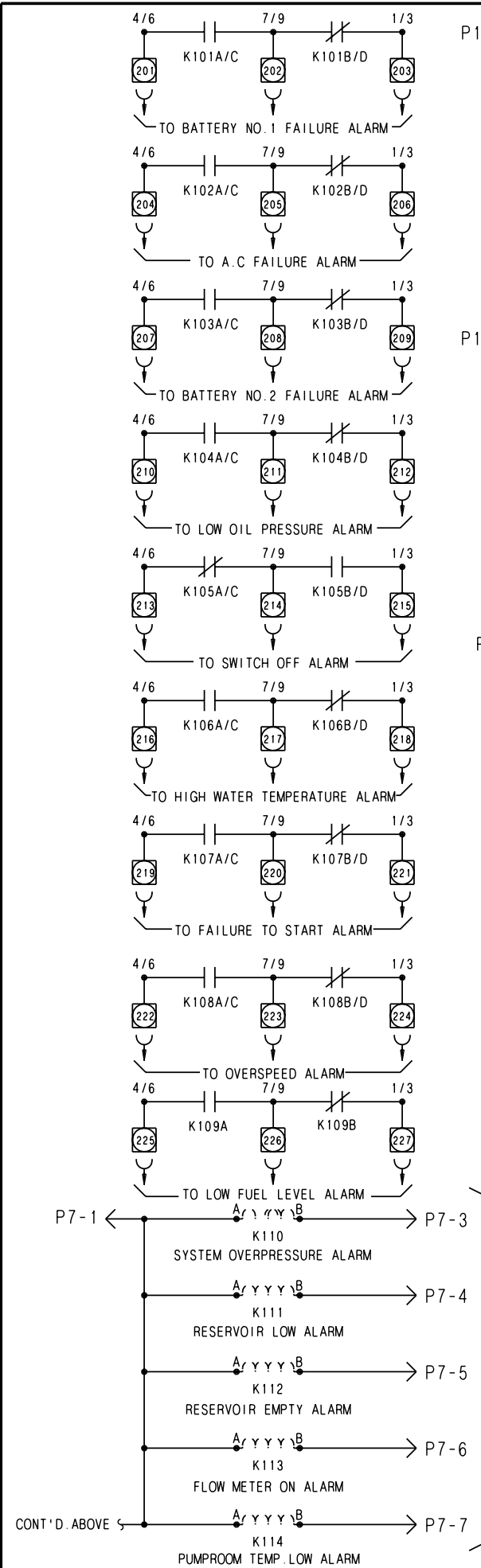


ISSUE	SUMMARY	
1	INITIAL ISSUE	10 DEC. 08
2	FUEL SPILL ALM	22 JUN 09



- NOTES:
- 1) All relays energize to alarm except K105 which drops out to alarm.
 - 2) Relay coils parallel corresponding display panel lamps.
 - 3) Relays may be supplied in any order or quantity depending on the alarms requested.
 - 4) P16 & P17 Connect to DC-CU P8

SCHEMATIC DIAGRAM OPTION 7 INDIVIDUAL ALARM CONTACTS SERIES DEC CONTROLLERS		
MC MASTER CONTROL SYSTEMS INC. LAKE BLUFF, ILLINOIS U.S.A.		
DRN. P	RELOT 22 JUN 09	
APP.	DATE 12 DEC 08	
DWG. 17731	ISS. 2	SHEET 1 OF 1