

PMCVE Variable Speed Motor Controller

MASTER

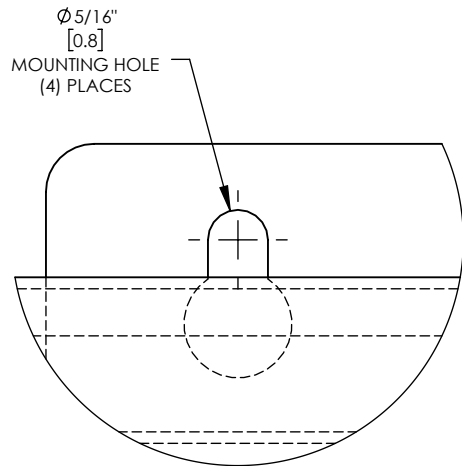
NOTES:

CONSTRUCTION: NEMA TYPE 2, 3R, & 12
FINISH: GREY
ACCESS: FRONT
MOUNTING: WALL MOUNT
SHIPPING WEIGHT: 42 LBS. (20 KG) MAX.

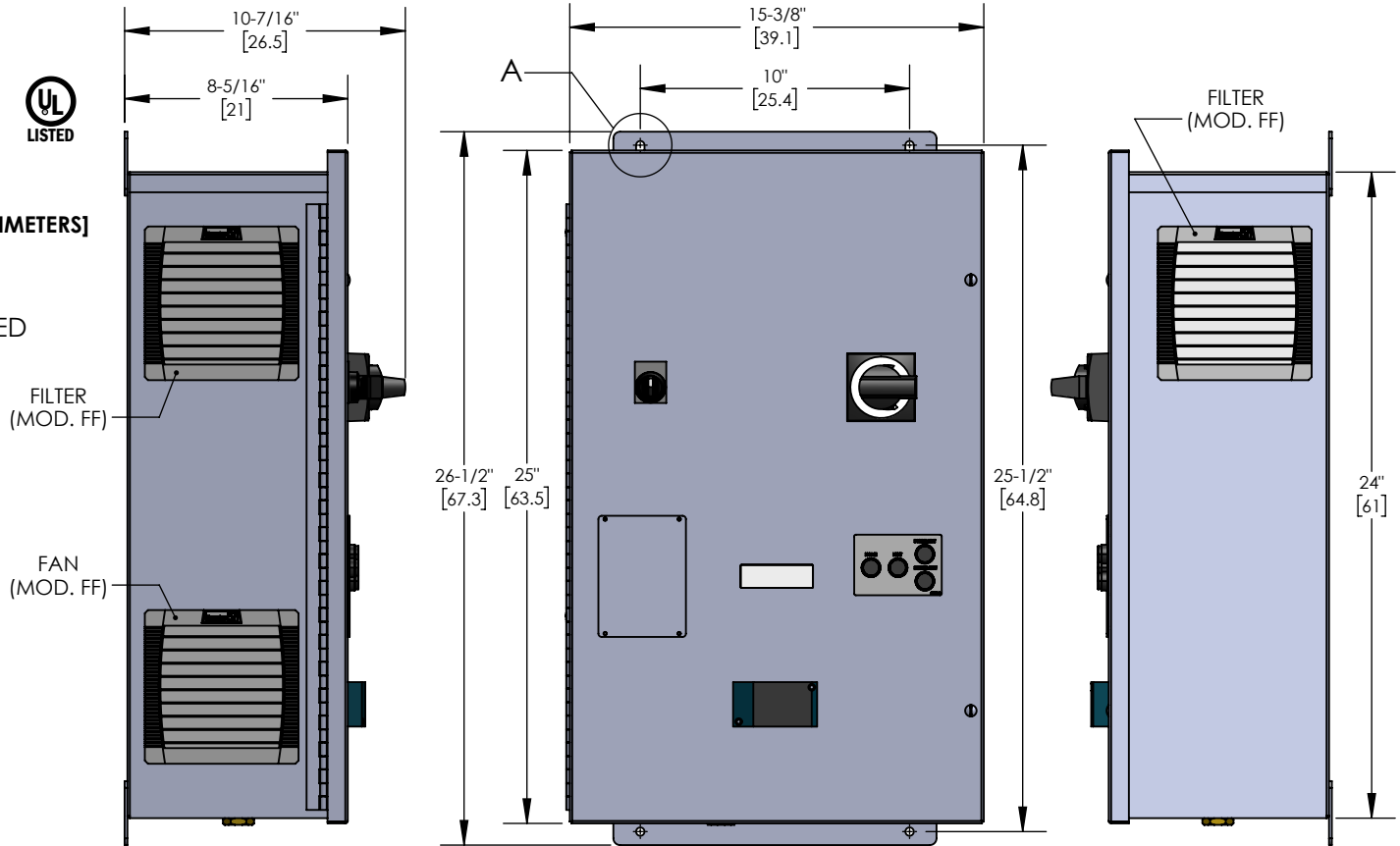


DIMENSIONS IN INCHES AND [CENTIMETERS]

FAN & FILTER, MOD. FF REQUIRED
 ON 7-1/2 HP AND ABOVE



DETAIL A
 SCALE 1 : 1



1/4" FEMALE N.P.T.
 NOMINAL (TRADE SIZE)
 AMERICAN STD. TAPERED
 PIPE THREAD

