

PMCE Pump Motor Controller

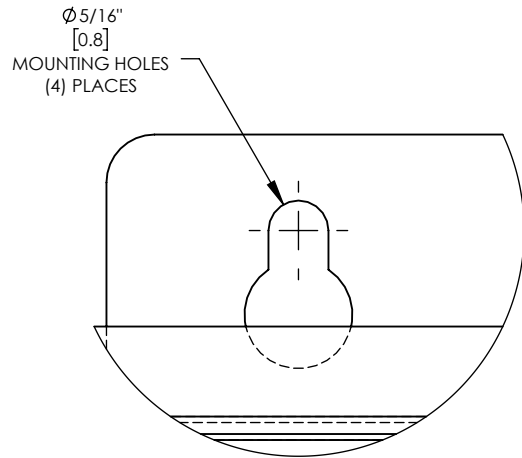
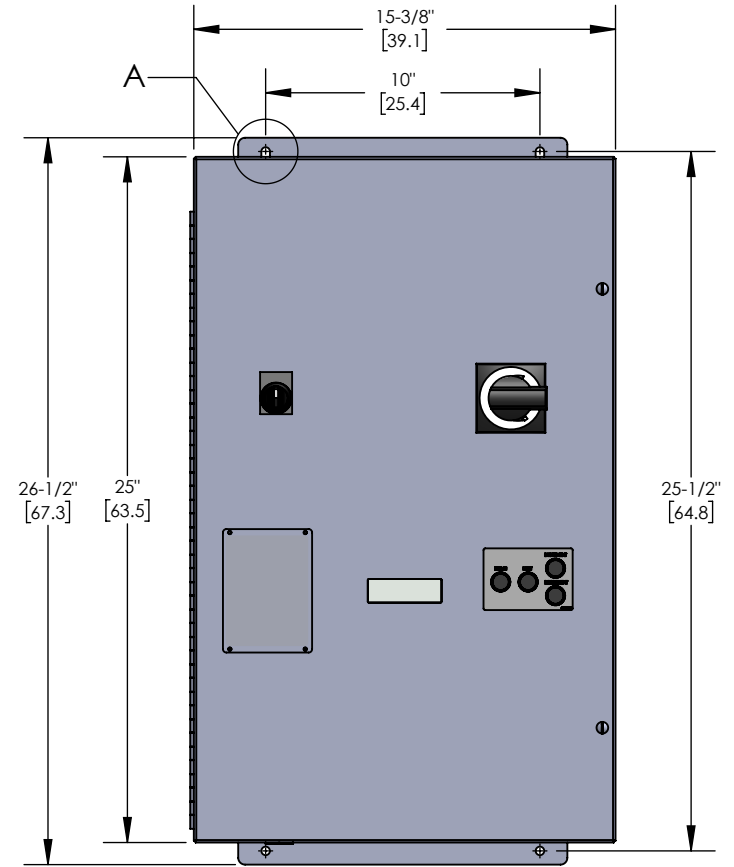
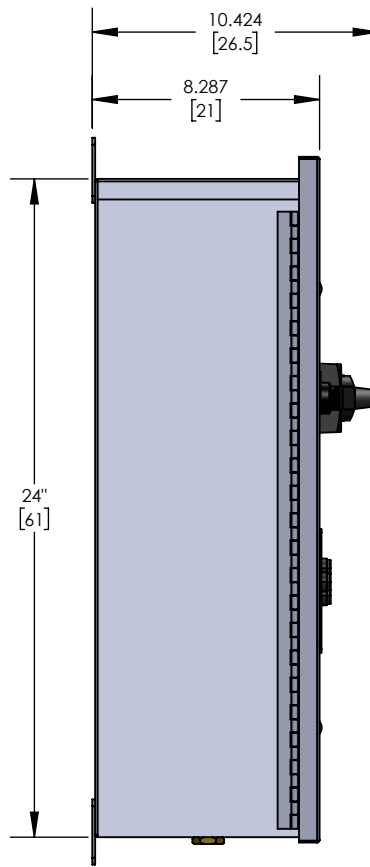
MASTER

NOTES:

CONSTRUCTION: NEMA TYPE 2/3R/12
 FINISH: GREY
 ACCESS: FRONT
 MOUNTING: WALL MOUNT
 SHIPPING WEIGHT: 42 LBS. (20 KG) MAX.



DIMENSIONS IN INCHES AND [CENTIMETERS]



DETAIL A
SCALE 1 : 1

1/4" FEMALE N.P.T.
 NOMINAL (TRADE SIZE)
 AMERICAN STD. TAPERED
 PIPE THREAD

