

# PMCE Pump Motor Controller

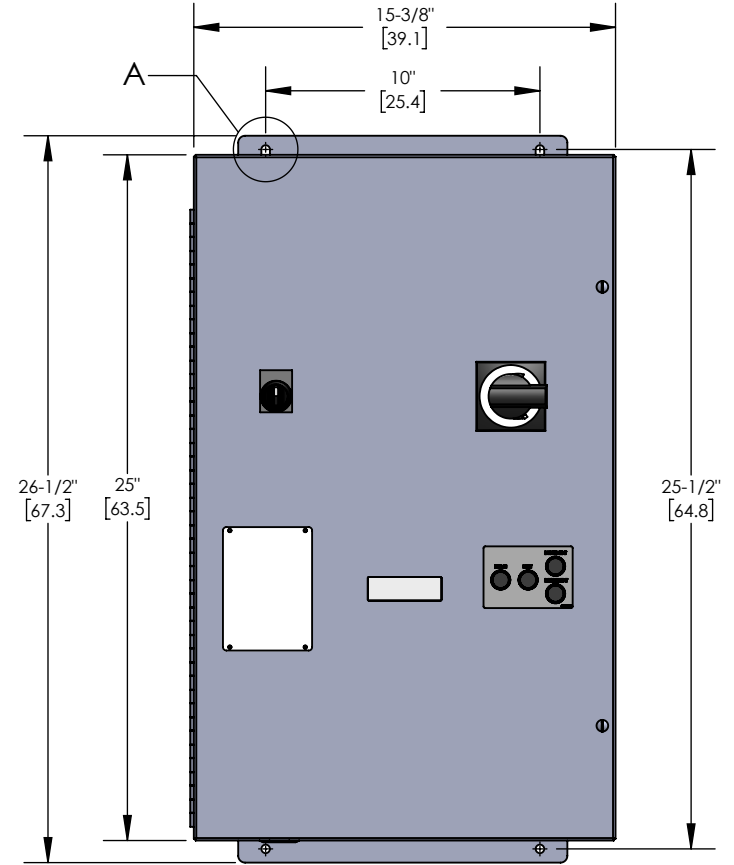
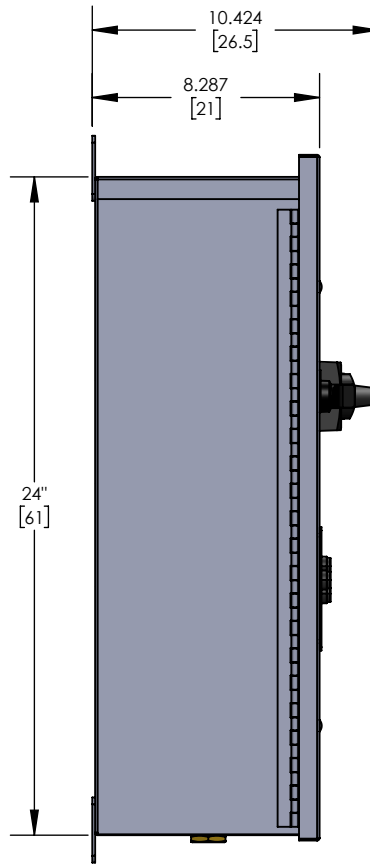
**MASTER**

**NOTES:**

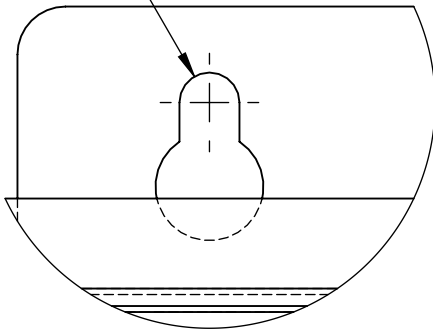
CONSTRUCTION: NEMA TYPE 2/3R/12  
 FINISH: GREY  
 ACCESS: FRONT  
 MOUNTING: WALL MOUNT  
 SHIPPING WEIGHT: 42 LBS. (20 KG) MAX.



DIMENSIONS IN INCHES AND [CENTIMETERS]



$\varnothing 5/16"$   
 [0.8]  
 MOUNTING HOLES  
 (4) PLACES



DETAIL A  
 SCALE 1 : 1

1/2" FEMALE N.P.T.  
 NOMINAL (TRADE SIZE)  
 AMERICAN STD. TAPERED  
 PIPE THREAD

