

# PMCV Pump Controller

**MASTER**

TO 3Ø AC SUPPLY (BRANCH  
CKT. PROTECTION REQ'D.)

INPUT WIRE RANGE:  
#14-#6  
TIGHTENING TORQUE 1b-in(N-m)  
26.6(3)

EQUIPMENT  
GROUND

SYMBOL

DESCRIPTION

- DS DISCONNECT SWITCH
- VFD VARIABLE SPEED DRIVE
- MMP MANUAL MOTOR PROTECTOR
- MA MOTOR RUN RELAY
- PF POWER FAIL RELAY
- CSR CURRENT SENSE RELAY



FIELD WIRING

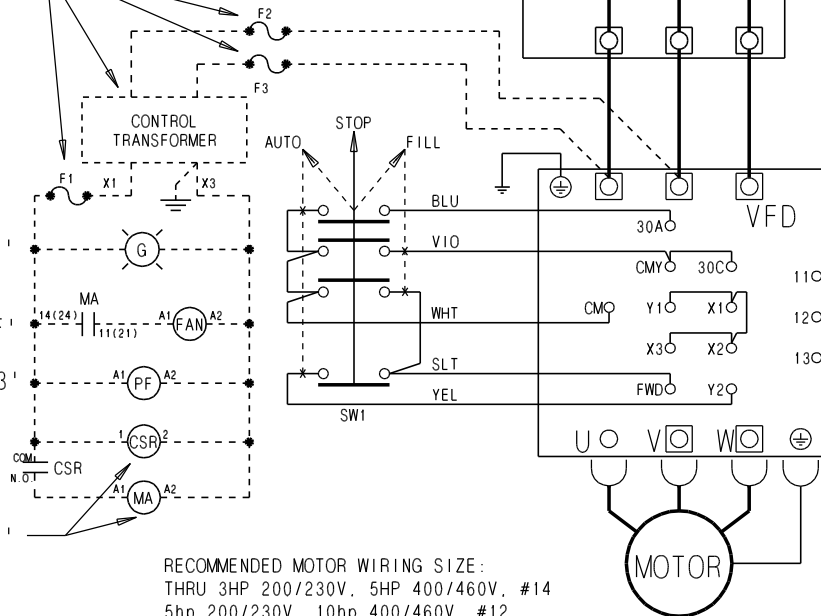
OPTION '1'

OPTION 'L2'

MOD 'FF'

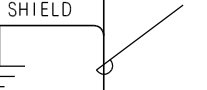
OPTION 'A3'

OPTION 'A1'

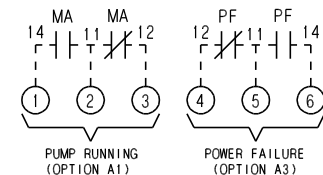


KEYPAD  
(THRU DOOR)  
KEYPAD MANUAL  
RUN/STOP DISABLED  
USE MODE SWITCH(SW1)

SHIELDED  
CABLE



TRANSDUCER



RECOMMENDED MOTOR WIRING SIZE:  
THRU 3HP 200/230V, 5HP 400/460V, #14  
5hp 200/230V, 10hp 400/460V, #12  
TIGHTENING TORQUE 1b-in(N-m)  
200/230V 1/8-1HP: 7.1(0.8)  
200/230V 2-5hp: 10.6(1.2)  
460V 1/2-7 1/2HP: 10.6(1.2)  
460V 10hp: 26.6(3.0)



Listed