

# PMCV Variable Speed Pump Motor Controller

**MASTER**

**NOTES:**

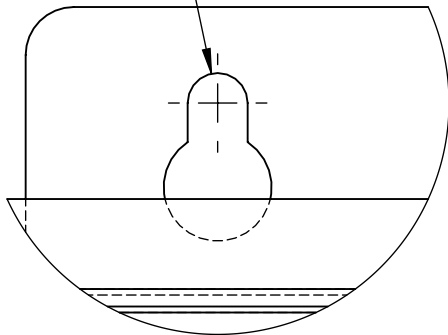
CONSTRUCTION: NEMA TYPE 2/3R/12  
 FINISH: GRAY  
 ACCESS: FRONT  
 MOUNTING: WALL MOUNT  
 SHIPPING WEIGHT: 42 LBS. (20 KG) MAX.



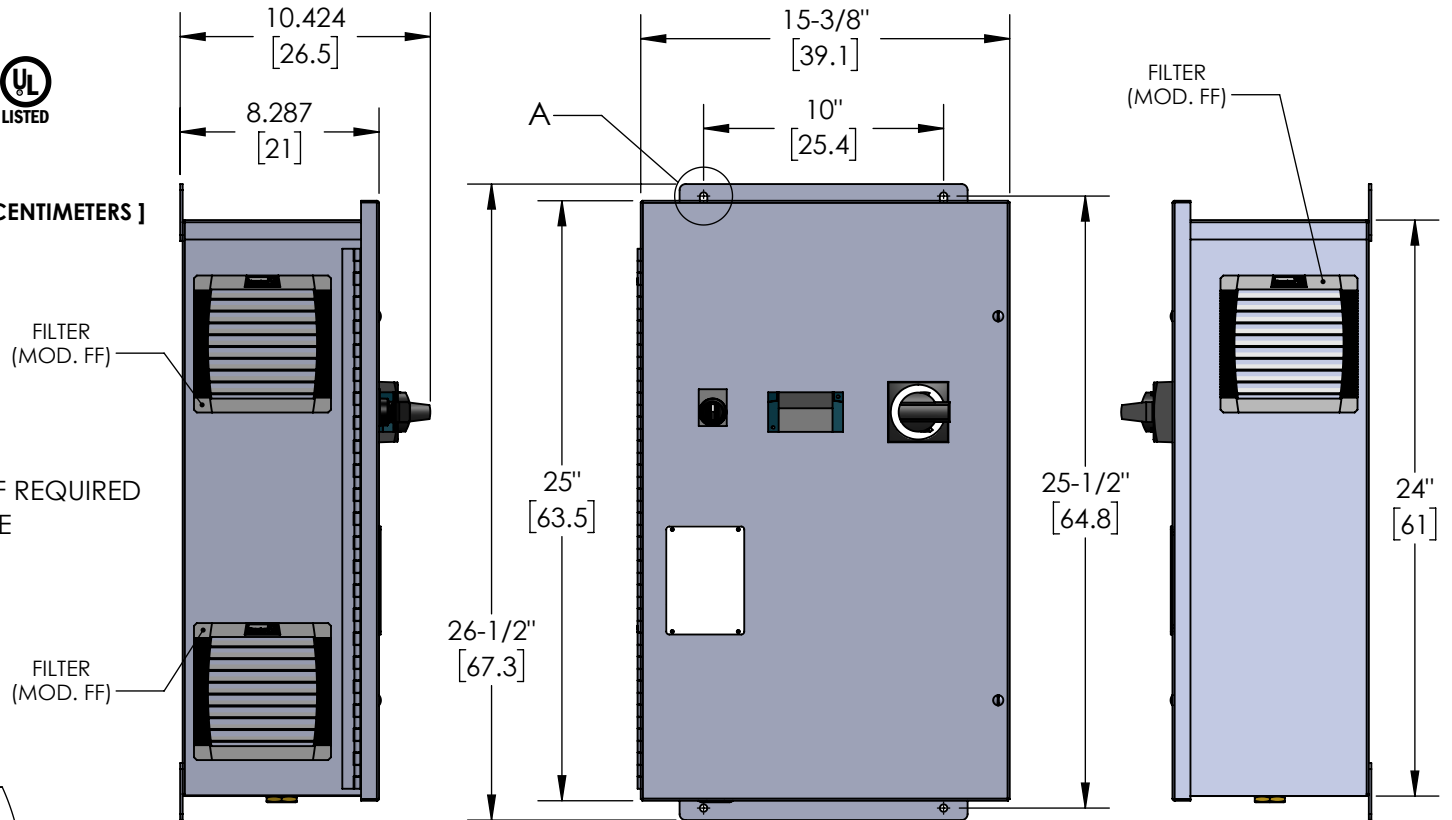
DIMENSIONS IN INCHES AND [CENTIMETERS]

FAN AND FILTER, MOD.FF REQUIRED ON 7 1/2 HP AND ABOVE

Ø 5/16"  
 [0.8]  
 MOUNTING HOLES  
 (4) PLACES



DETAIL A  
 SCALE 1 : 1



1/2" FEMALE N.P.T.  
 NOMINAL (TRADE SIZE)  
 AMERICAN STD. TAPERED  
 PIPE THREAD

