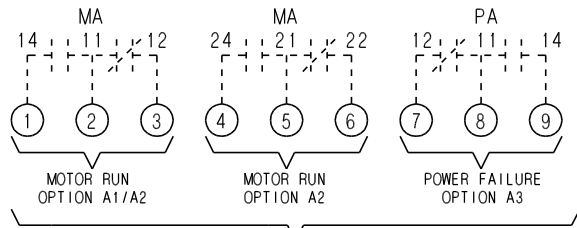


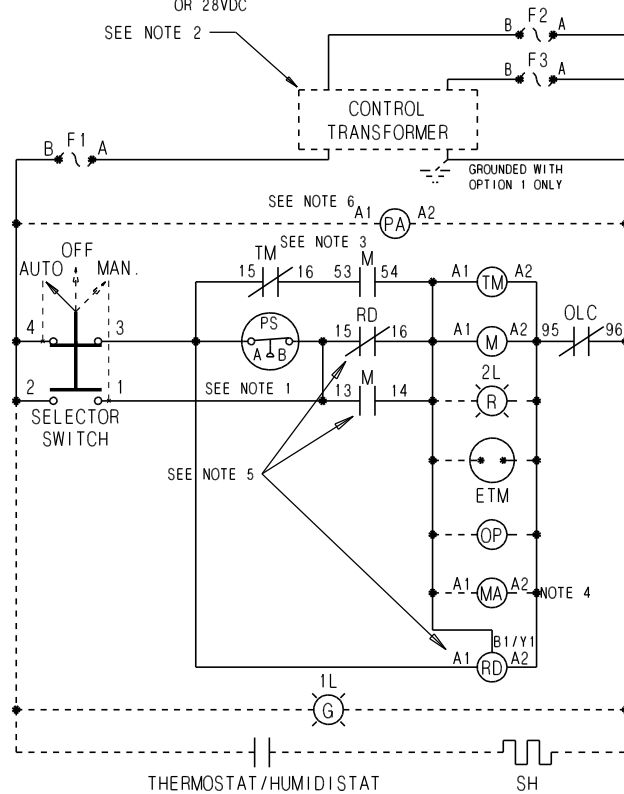
Model PMC Pump Motor Controller

MASTER



AUX. ALARM CONTACTS
CONTACT RATING: 5A MAX. AT 240VAC
OR 28VDC

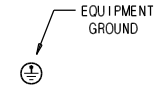
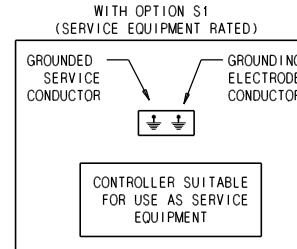
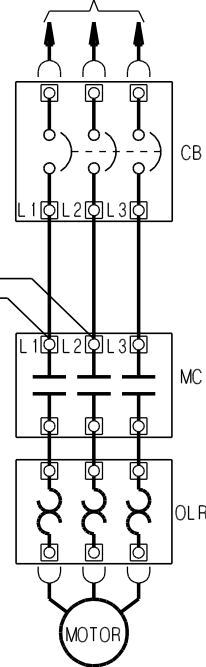
SEE NOTE 2



NOTES:

- PRESSURE SWITCH CLOSES ON FALLING PRESSURE.
- SUPPLIED WITH OPTION 1. FOR XFMR. WIRING, SEE LABEL ON WINDING
- CONTACT OPENS WHEN TIMER TIMES OUT. SET TIMER TO 1 MIN. FOR EA. 10 HP OR FRACTION THEROP. MAX. SETTING-3 MIN. (180 SEC.)
- "MA" SUPPLIED WITH OPTION A1 &/OR A2
- RD AND ADDITIONAL M CONTACTS SUPPLIED WITH OPT. 4-RESTART DELAY.
- PA RELAY SUPPLIED WITH OPTION A3. POWER AVAILABLE

TO 3Ø AC SUPPLY (BRANCH
CKT. PROTECTION REQ'D.)



SYMBOL	DESCRIPTION
CB	CIRCUIT BREAKER (OPT 'C1')
S1	SUITABLE AS SERVICE EQUIPMENT
MC	MOTOR CONTACTOR CONTACTS
OLR	OVERLOAD RELAY
PS	PRESSURE SWITCH
M	MOTOR CONTACTOR COIL
MA	AUX. MOTOR RUN RELAY (NOTE 4)
ETM	RUN TIME METER
OLC	OVERLOAD CONTACTS
1L	POWER ON LAMP (OPTION L2)
2L	PUMP RUNNING LAMP (OPTION L1)
F1	SECONDARY CONTROL CKT. FUSE
F2.3	PRIMARY CONTROL CKT. FUSES
TM	MINIMUM RUN TIMER RELAY
TMA	MIN. RUN TIMER INST. CONTACT
TMD	MIN. RUN TIMER TIME CONTACT
RD	RESTART DELAY RELAY
OP	OPERATIONS COUNTER
PA	POWER AVAILABLE RELAY
SH	STRIP HEATER (OPTION H1, H2, H3)

FIELD WIRING
--- DENOTES OPTIONAL EQUIPMENT



LISTED



Master Control Systems Inc.
LAKE BLUFF, ILLINOIS U.S.A.

WIRING DIAGRAM SERIES PMC CONTROLLER FOR 3Ø PUMP MOTOR W/OPT C1

Date 23 January 2018

Drawing 24128 Issue 1