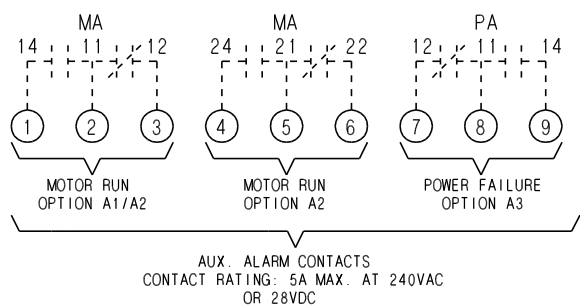
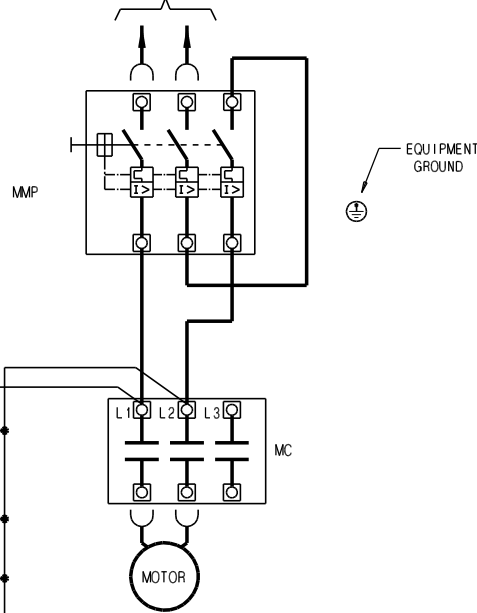


# Model PMC Pump Motor Controller

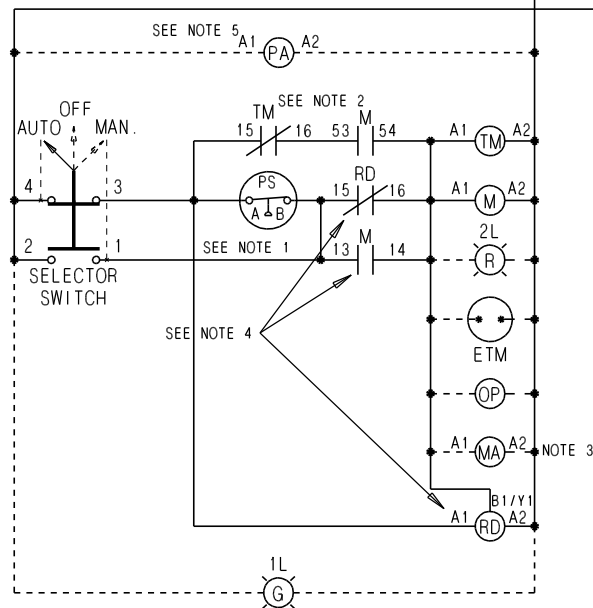
**MASTER**



TO 1Ø AC SUPPLY (BRANCH  
CKT. PROTECTION REQ'D  
PER NEC 430.52)



SYMBOL	DESCRIPTION
MMP	MANUAL MOTOR PROTECTOR
MC	MOTOR CONTACTOR CONTACTS
PS	PRESSURE SWITCH
M	MOTOR CONTACTOR COIL
MA	AUX. MOTOR RUN RELAY (NOTE 4)
ETM	RUN TIME METER
1L	POWER ON LAMP (OPTION L2)
2L	PUMP RUNNING LAMP (OPTION L1)
F1	SECONDARY CONTROL CKT. FUSE
F2,3	PRIMARY CONTROL CKT. FUSES
TM	MINIMUM RUN TIMER
RD	RESTART DELAY TIMER
OP	OPERATIONS COUNTER
PA	POWER AVAILABLE RELAY
	FIELD WIRING
---	DENOTES OPTIONAL EQUIPMENT



## NOTES:

1. PRESSURE SWITCH CLOSSES ON FALLING PRESSURE.
2. SUPPLIED WITH OPT 2 - MINIMUM RUN TIMER CONTACT OPENS WHEN TIMER TIMES OUT. SET TIMER TO 1 MIN. FOR EACH 10 HP OR FRACTION THEREOF. MAX. SETTING OF 3 MINUTES.
3. MA SUPPLIED WITH OPT A1 OR A2.
4. SUPPLIED WITH OPT 4 - RESTART DELAY.
5. PA SUPPLIED WITH OPTION A3, POWER AVAILABLE.



LISTED



Master Control Systems Inc.  
LAKE BLUFF, ILLINOIS U.S.A.

WIRING DIAGRAM SERIES PMC CONTROLLER FOR 1Ø PUMP MOTOR

Date 23 October 2017

Drawing 24123 Issue 3