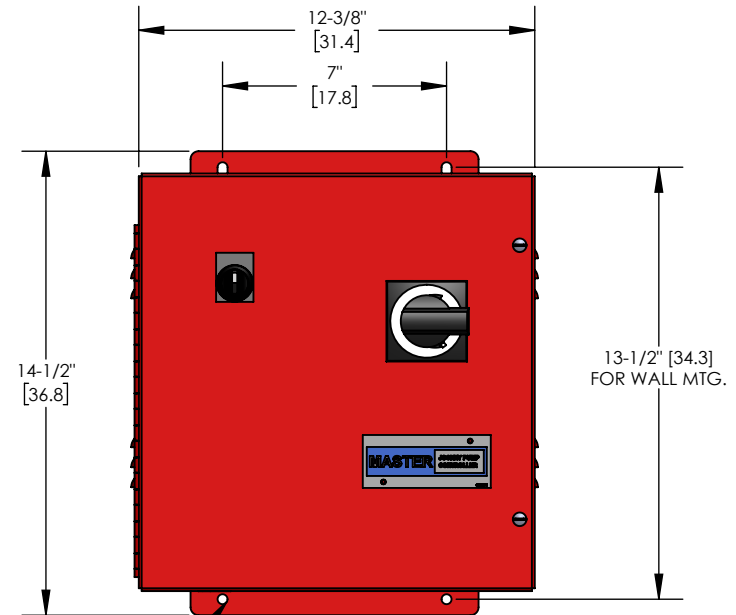
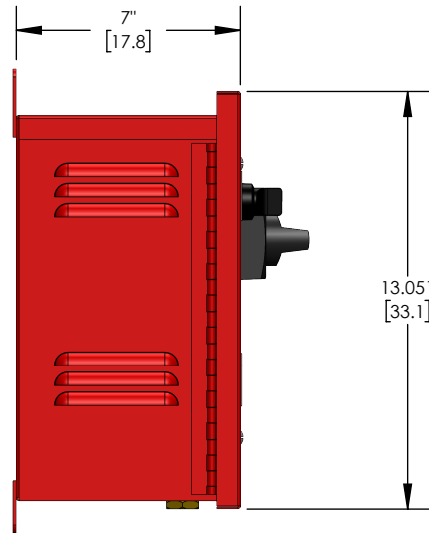
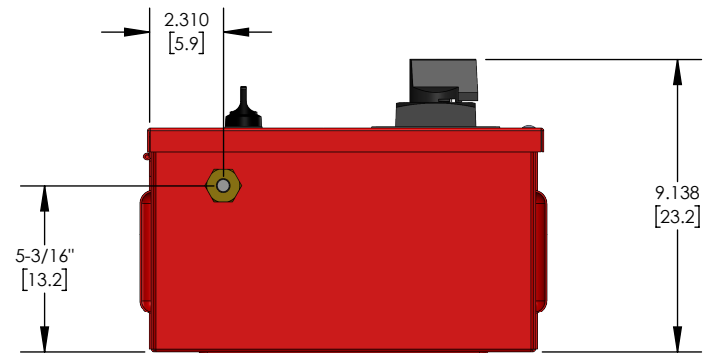


JPC Jockey Pump Controller

MASTER



(4) $\text{\O} 5/16$ (8.0 mm) Mounting Holes



Notes:

- Construction: NEMA Type 2
- Finish: Fire Pump Red
- Conduit Entrance: Conduit Entry on Top or Bottom.
Protect Equipment from Drilling Chips
- Conduit Hubs: Waterproof Hubs Required for Top Entry
- Access: Front
- Mounting: Wall Mount
- Shipping Weight: 20 Lbs. (9.1 kg) Max.

Dimensions In Inches and [Centimeters]

