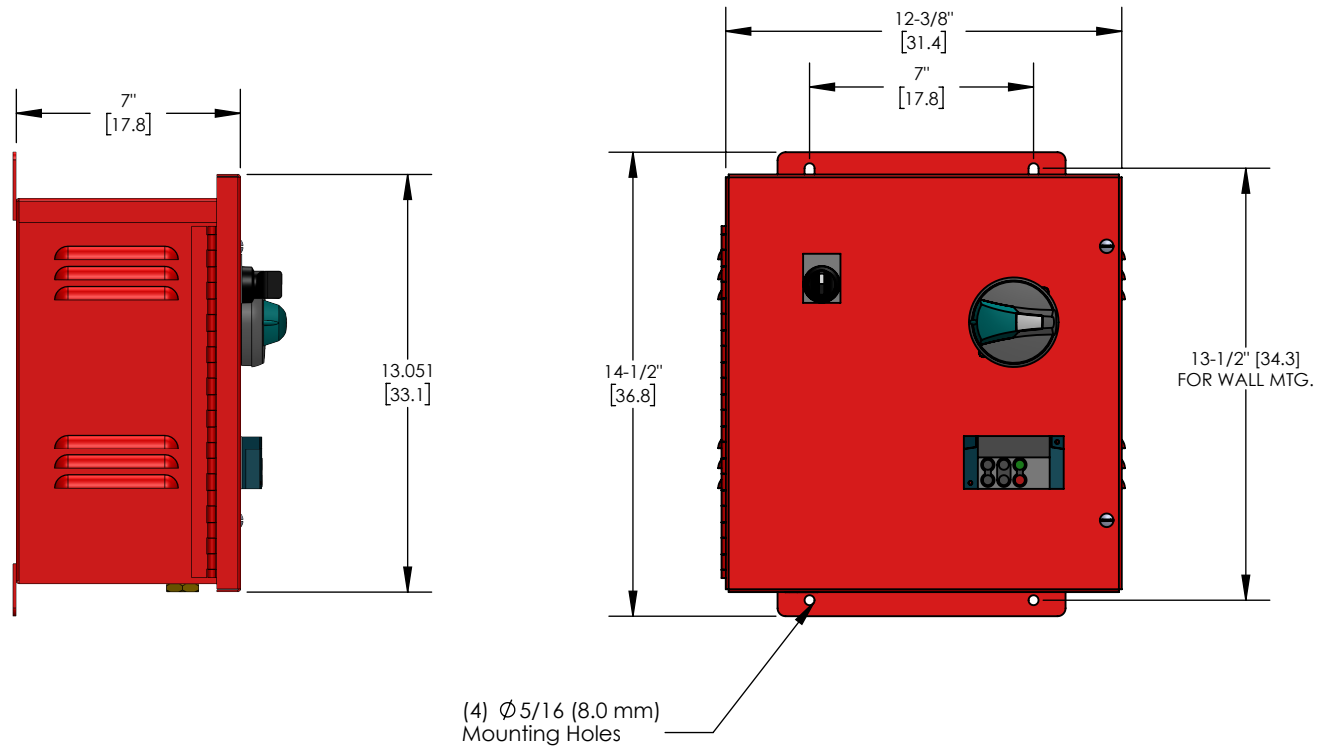


JPCV Variable Speed Jockey Pump Controller

MASTER



Notes:

- Construction: NEMA Type 2
- Finish: Fire Pump Red
- Conduit Entrance: Conduit Entry on Top or Bottom.
Protect Equipment from Drilling Chips
- Conduit Hubs: Waterproof Hubs Required for Top Entry
- Access: Front
- Mounting: Wall Mount
- Shipping Weight: 20 Lbs. (9.1 kg) Max.

Dimensions In Inches and [Centimeters]

1/4-18 FEMALE N.P.T PRESSURE CONNECTION

