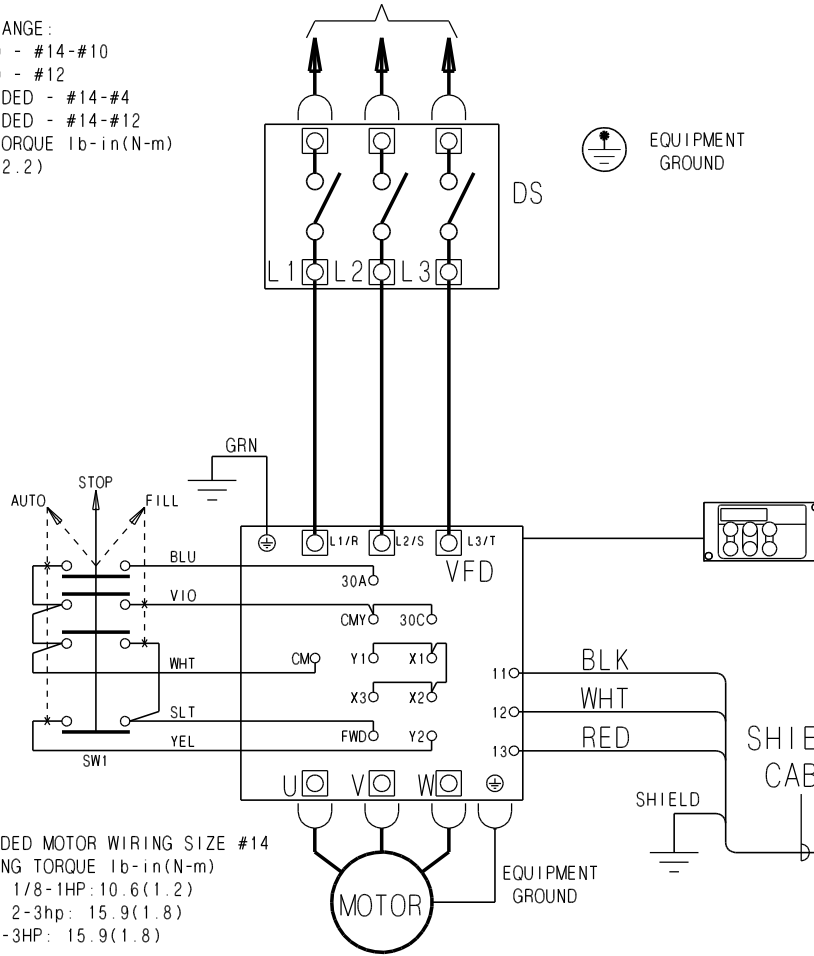


JPCV Pump Controller

MASTER

INPUT WIRE RANGE:
 SINGLE SOLID - #14-#10
 DOUBLE SOLID - #12
 SINGLE STRANDED - #14-#4
 DOUBLE STRANDED - #14-#12
 TIGHTENING TORQUE lb-in(N-m)
 17.7-19.5(2-2.2)

TO 3Ø AC SUPPLY (BRANCH
 CKT. PROTECTION REQ'D.)



EQUIPMENT GROUND

SYMBOL	DESCRIPTION
DS	DISCONNECT SWITCH
VFD	VARIABLE SPEED DRIVE
	FIELD WIRING

KEYPAD
 (THRU DOOR)
 KEYPAD MANUAL
 RUN/STOP DISABLED
 USE MODE SWITCH(SW1)

RECOMMENDED MOTOR WIRING SIZE #14
 TIGHTENING TORQUE lb-in(N-m)
 200/230V 1/8-1HP: 10.6(1.2)
 200/230V 2-3hp: 15.9(1.8)
 460V 1/2-3HP: 15.9(1.8)



Master Control Systems Inc.
 LAKE BLUFF, ILLINOIS U.S.A.

WIRING DIAGRAM SERIES JPCV CONTROLLER FOR 3Ø PUMP MOTOR

Date	20 October 2017
Drawing	10601 Issue 3