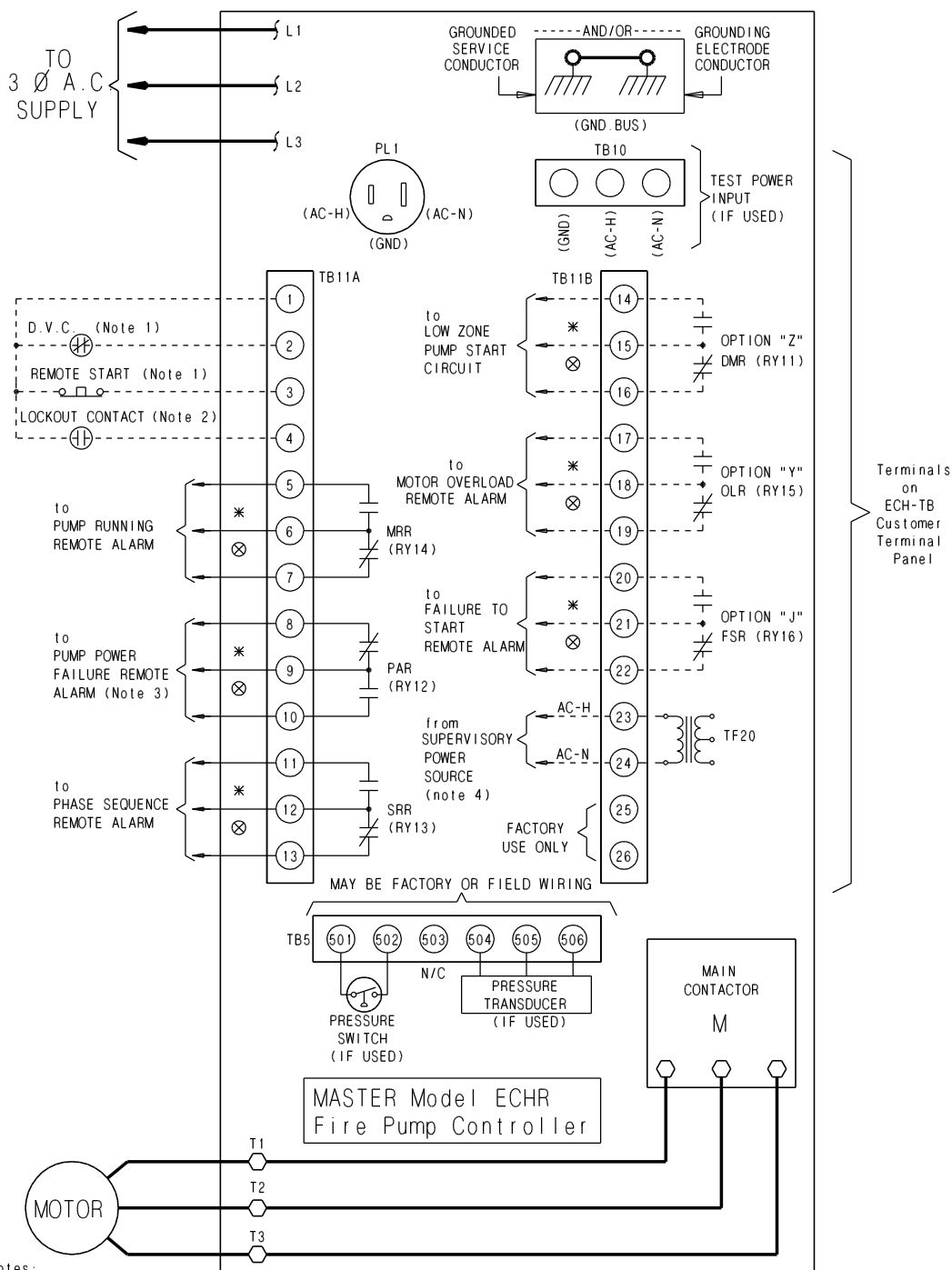


Primary Reactor Medium Voltage Fire Pump Controller

MASTER



Notes:

- 1) Deluge Valve Maintained Contact(s) & Remote Start (Momentary) Contacts are used when Option R is supplied. Open to start Pump.
- 2) Lockout contact(s), used when Mod. 21 is provided. CLOSE to LOCKOUT PUMP
- 3) Power Failure Alarm (PAR) contacts (terms. 8,9,10) Shown in Alarm State. All others shown Normal (contacts 5 & 6, 8 & 9, 11 & 12, 14 & 15, 17 & 18, and 20 & 21 Close to Alarm. (All Relays Shown De-energized.)
- 4) 115 VAC Input Branch Circuit (50 VA Load) used when Option "K" is supplied.
- 5) All contact ratings: 5.0 Amp Max. at 115 Vac or 28 Vdc

*-Contacts CLOSE to ALARM
 ⊗-Contacts OPEN to ALARM



Master Control Systems Inc.
 LAKE BLUFF, ILLINOIS U.S.A.

External Wiring-Model ECHR Primary Reactor Reduced Voltage Starting Electric Fire Pump Controller

Date 22 MAY 2012

Drawing 13113 Issue 3