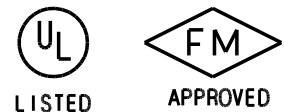
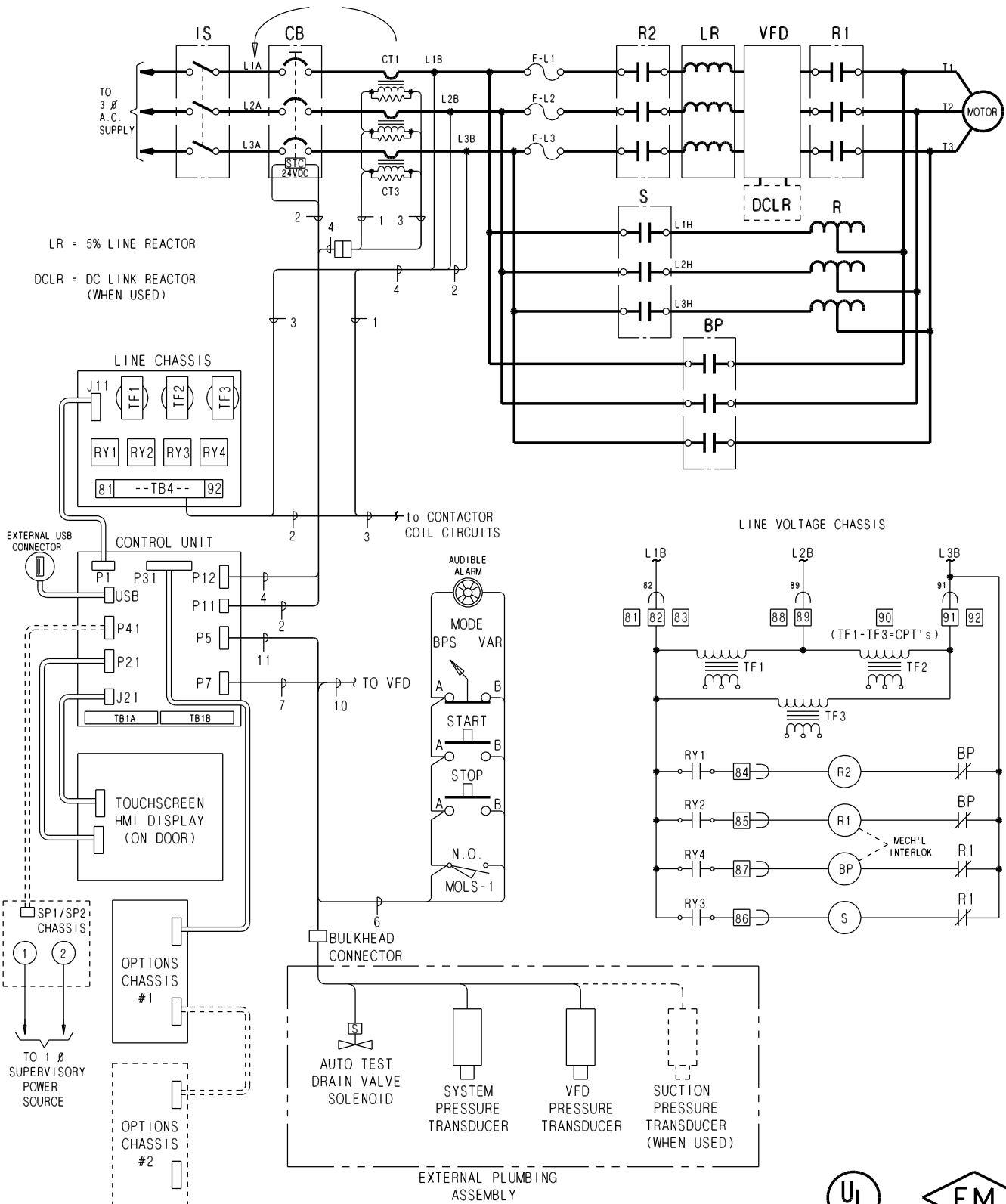


MCVR Variable Speed Fire Pump Controller

MASTER



Master Control Systems Inc.
 LAKE BLUFF, ILLINOIS U.S.A.

MODEL MCVR SCHEMATIC DIAGRAM
 PRIMARY REACTOR BYPASS - G4

Date 19 February 2014
 Drawing 20223 Issue 2