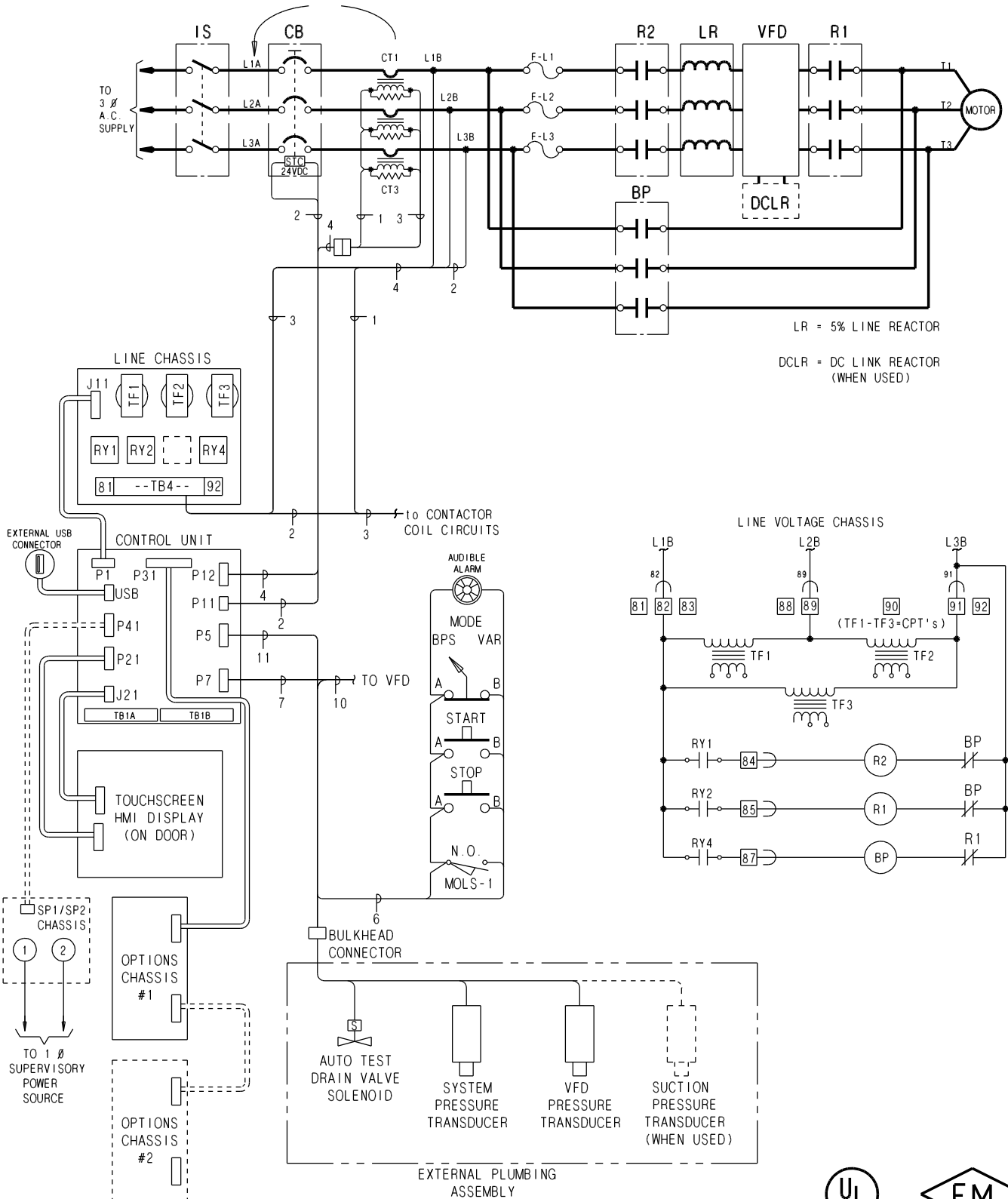


# MCVA Variable Speed Fire Pump Controller

# MASTER



**Master Control Systems Inc.**  
LAKE BLUFF, ILLINOIS U.S.A.

MODEL MCVA SCHEMATIC DIAGRAM  
ACROSS-THE-LINE BYPASS - G4

Date 19 February 2014  
Drawing 20221 Issue 2