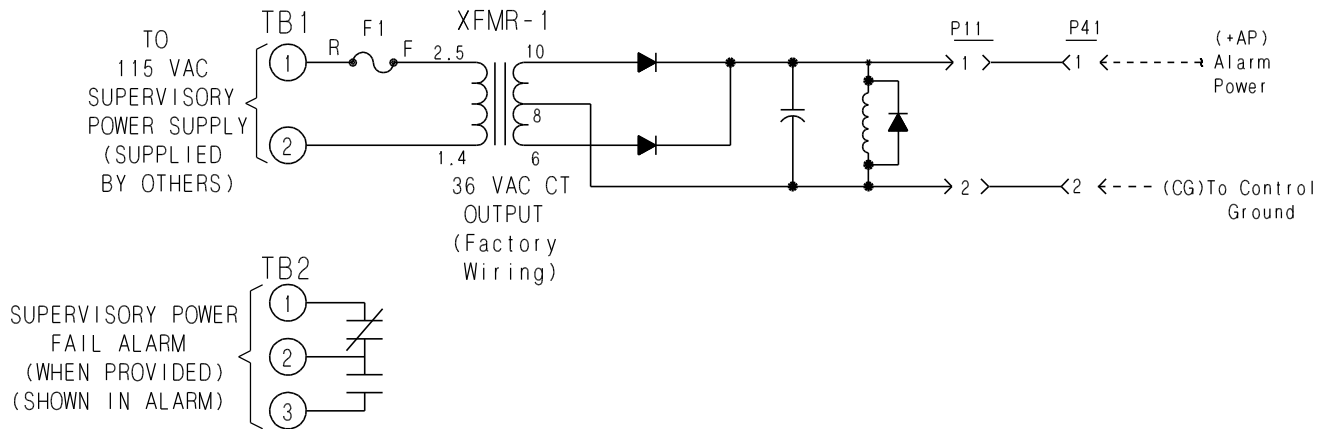


**SCHEMATIC DIAGRAM**



**EXTERNAL DIAGRAM**

