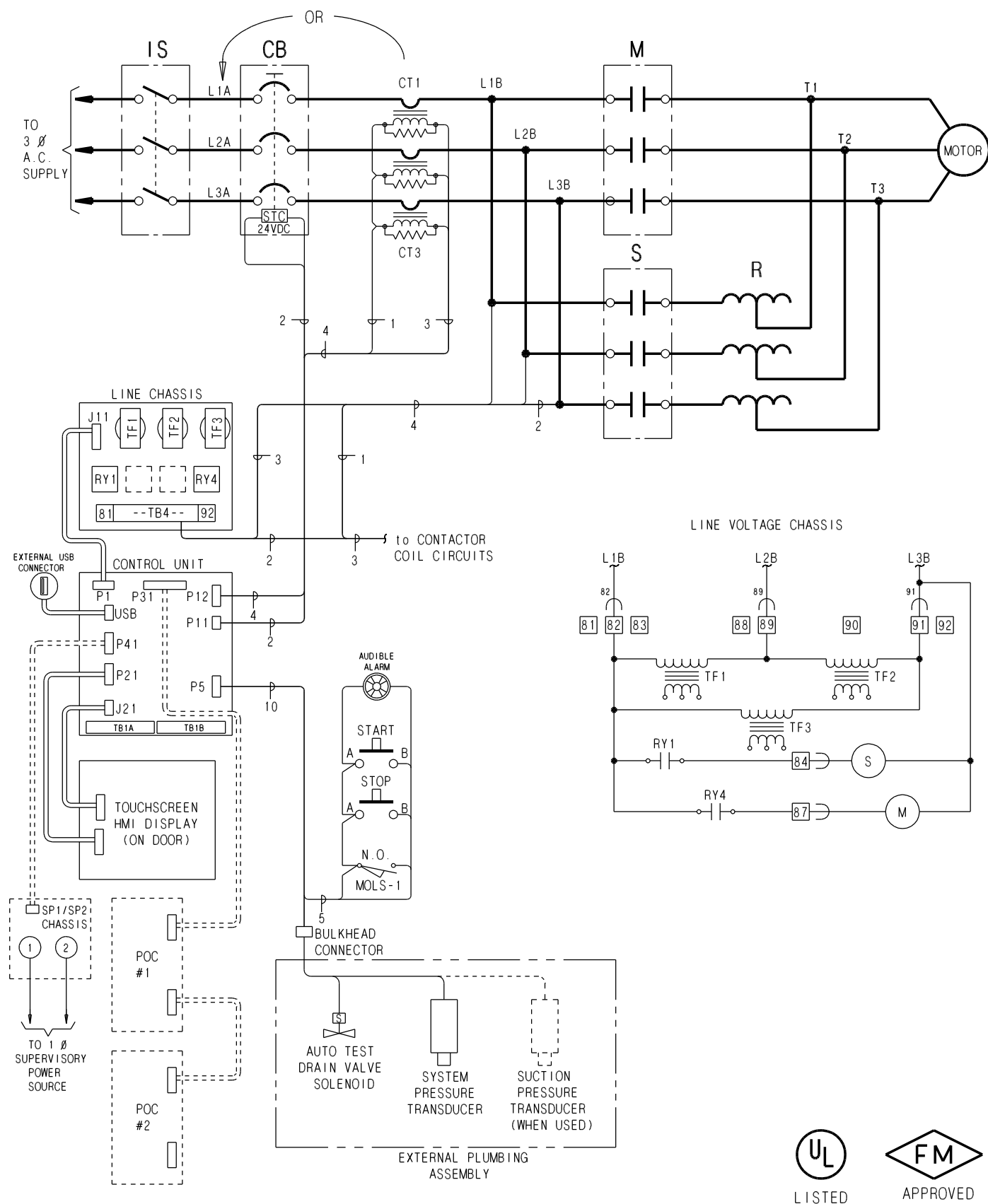


# MCR Primary Reactor Fire Pump Controller

**MASTER**



**Master Control Systems Inc.**  
LAKE BLUFF, ILLINOIS U.S.A.

Model MCR  
Schematic Diagram - G4

Date 19 March 2013

Drawing 20203

Issue 1