

# PIPING CONNECTIONS FOR ELECTRIC FIRE PUMP CONTROLLERS

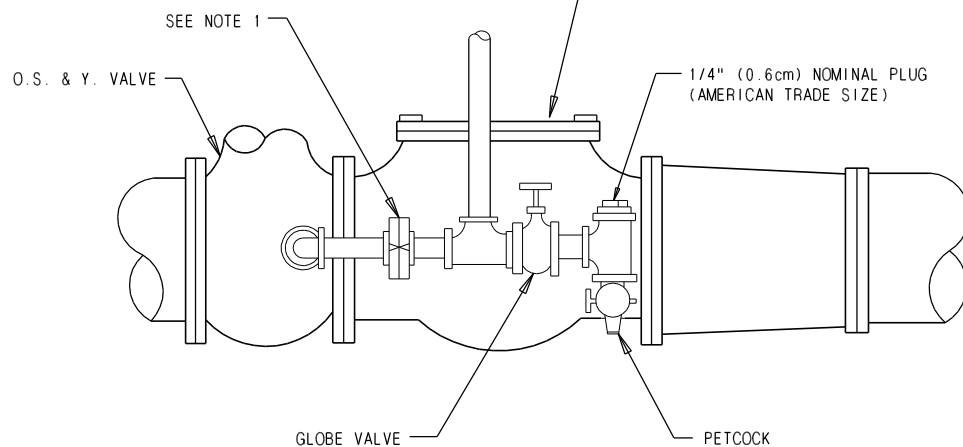
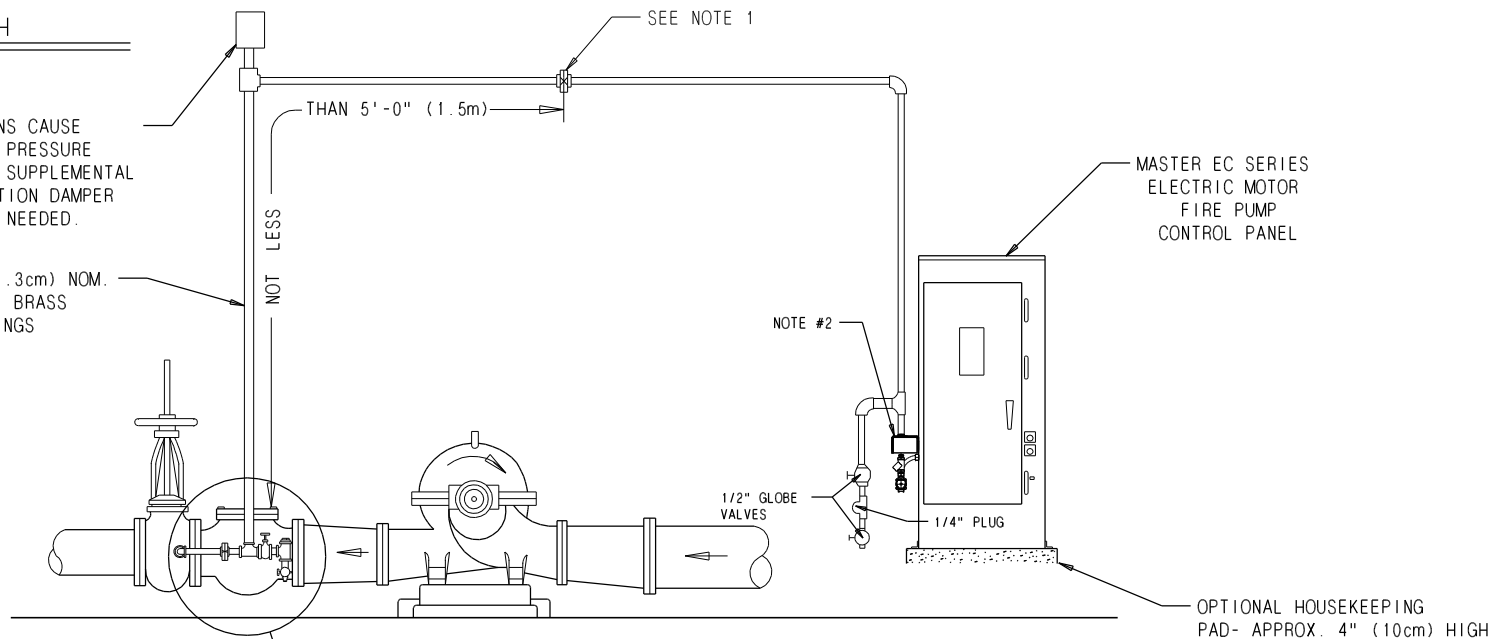
**MASTER**

## PIPING CONNECTION FOR AUTOMATIC PRESSURE SWITCH

( PER NFPA 20 FIG. A-7-5.2.1 )

WHERE WATER PULSATIONS CAUSE  
ERRATIC OPERATION OF PRESSURE  
SWITCH OR RECORDER A SUPPLEMENTAL  
AIR CHAMBER OR PULSATION DAMPER  
(ACCUMULATOR) MAY BE NEEDED.

NOT LESS THAN 1/2" (1.3cm) NOM.  
(AMERICAN TRADE SIZE) BRASS  
PIPE WITH BRASS FITTINGS  
OR EQUIVALENT.



### NOTE

1. BRONZE CHECK VALVES, CLAPPER DRILLED WITH 3/32" (.24 mm) HOLE, EXCEPT WHERE WATER IS CLEAN GROUND FACE UNIONS WITH NON-CORROSIVE DIAPHRAM & 3/32" (.24 mm) ORIFICE MAY BE USED.
2. 1/2" (1.3cm) NOMINAL AMERICAN STANDARD TAPER FEMALE PIPE THREAD INLET & OUTLET.
3. ADDITIONAL PLUMBING REQUIRED IF MOD. 83LT PROVIDED



**Master Control Systems Inc.**  
LAKE BLUFF, ILLINOIS U.S.A.

Piping Connections for Electric Controllers

Date 10 Jan 2014

Drawing 21400

Issue 2