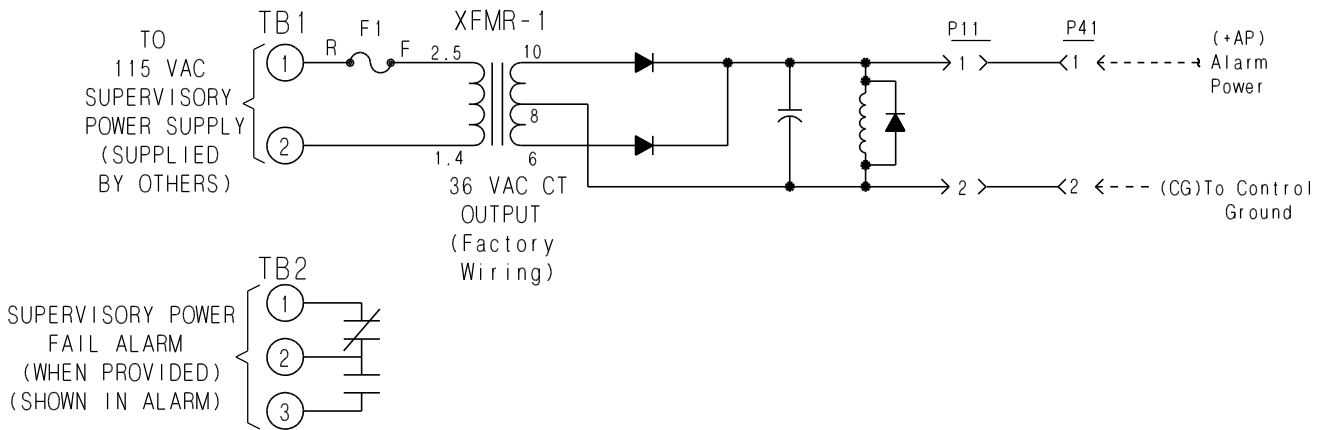


SCHEMATIC DIAGRAM



EXTERNAL DIAGRAM

