

# DMC Fire Pump Controller

**MASTER**

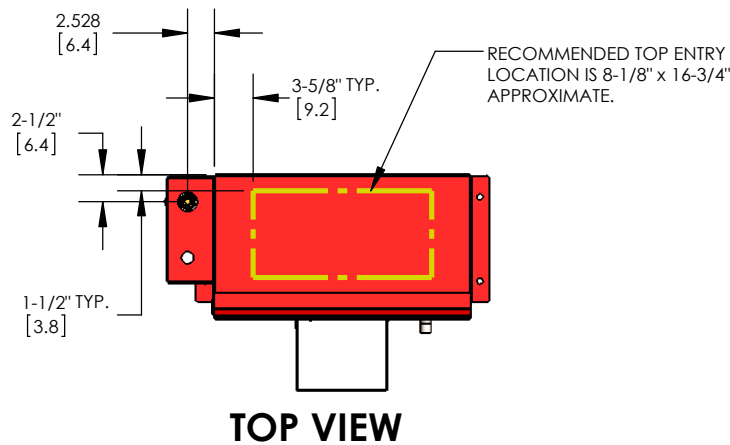
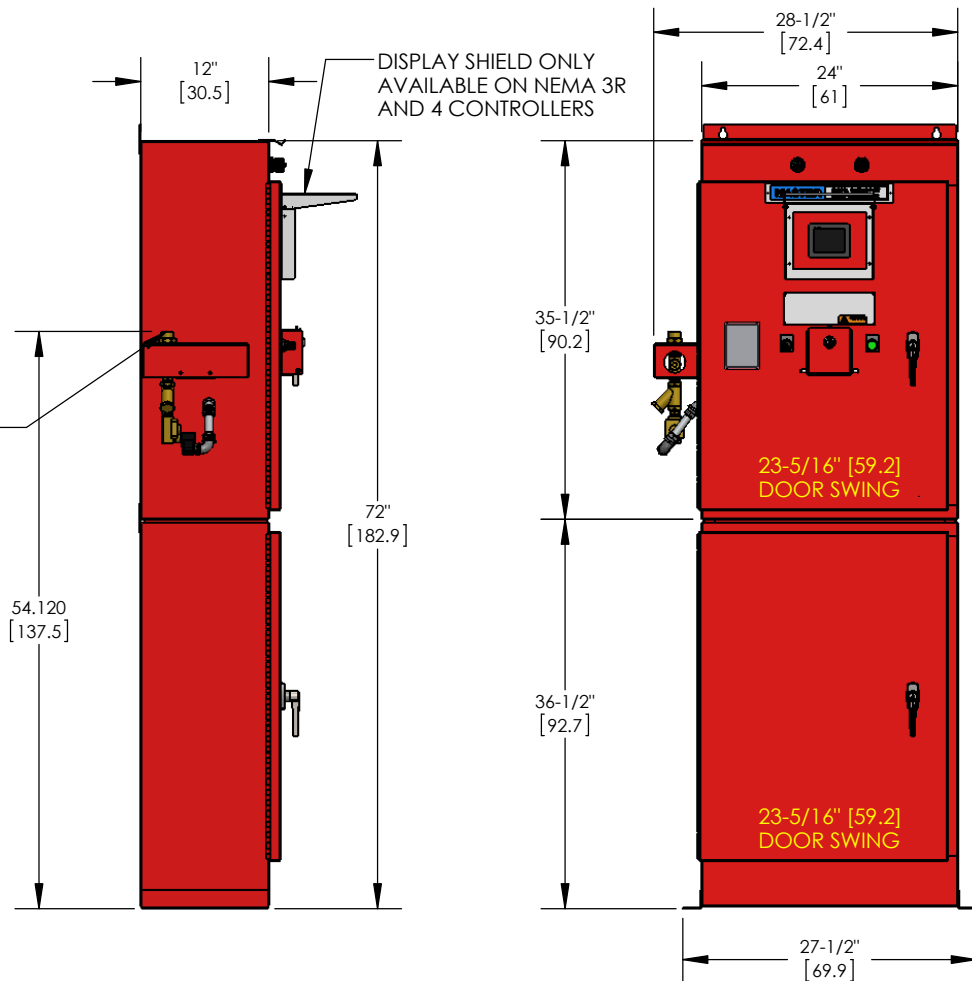
**Notes:**

**Construction:** NEMA Type 2, 12, 3R and 4  
**Finish:** Fire Pump Red  
**Conduit Entrance:** Conduit Entry on Top or Bottom.  
 Protect Equipment from Drilling Chips  
**Conduit Hubs:** Waterproof Hubs Required for Top Entry  
**Access:** Front  
**Mounting:** Floor Mount  
**Shipping Weight:** 190 Lbs. (86.2 kg) Max.



Dimensions In Inches and [Centimeters]

1/2" (13mm) Female N.P.T.  
 Nominal (Trade Size)  
 American Std. Tapered  
 Pipe Thread



**TOP VIEW**

