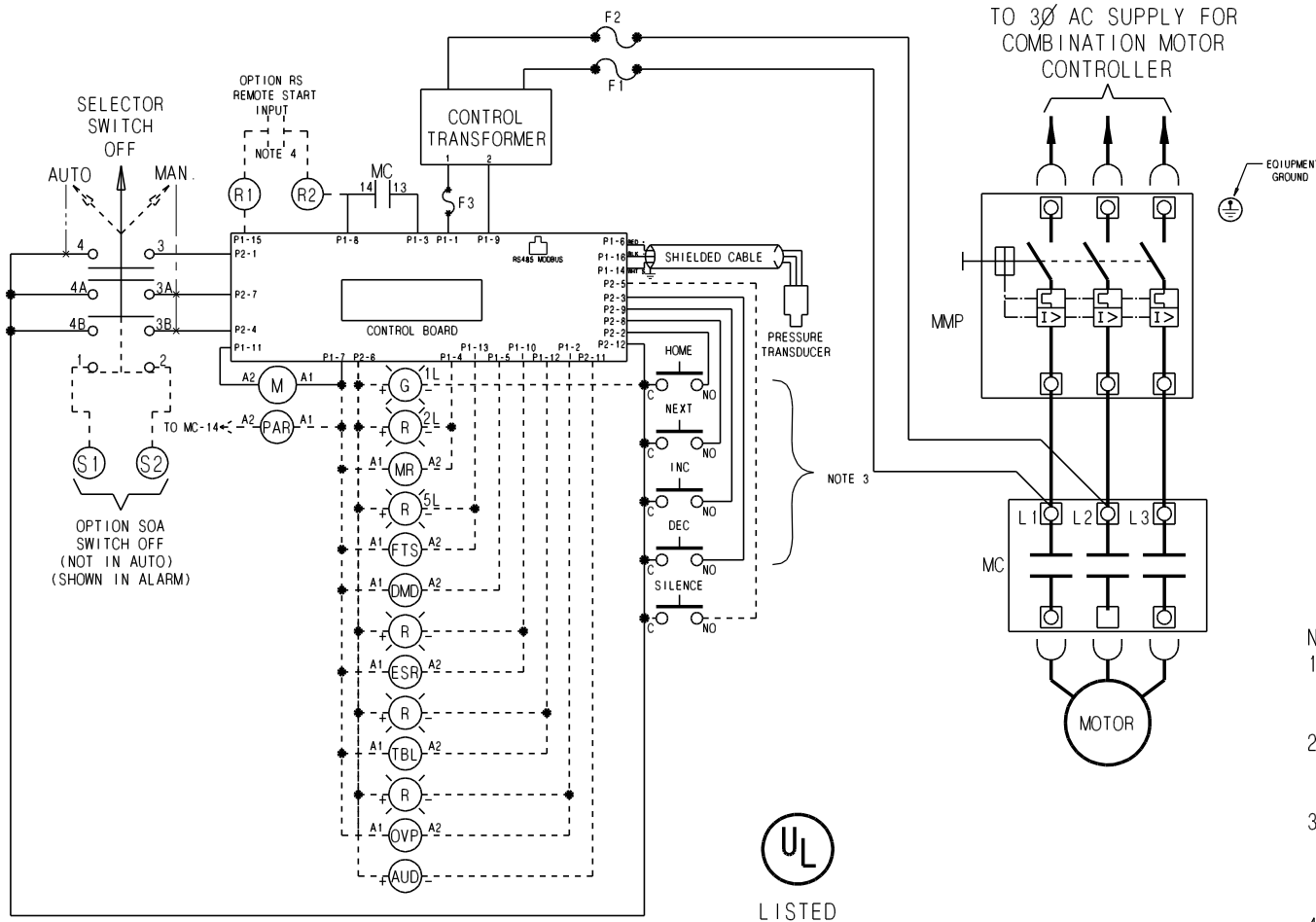


Model PMCE Pump Motor Controller

MASTER



SYMBOL	DESCRIPTION
MMP	MANUAL MOTOR PROTECTOR
MC	MOTOR CONTACTOR COILS
M	MOTOR CONTACTOR
MR	MOTOR RUN RELAY (OPTION A1/A2)
FTS	FAIL TO START RELAY (OPTION F1)
F1, F2	PRIMARY CONTROL CKT. FUSE
1L	POWER ON LAMP (OPTION L2)
2L	PUMP RUNNING LAMP (OPTION L1)
5L	FAIL TO START LAMP (OPTION L5)
DMD	DEMAND RELAY
AUD	AUDIBLE ALARM
ESR	EXCESSIVE STARTS RELAY
TBL	TROUBLE RELAY
OVP	OVERPRESSURE RELAY
- - -	OPTIONAL EQUIPMENT
⌋	FIELD WIRING

- NOTES:
1. MINIMUM RUN TIMER FACTORY SET TO 3 SECONDS. MAX SETTING 999 SECONDS.
 2. RESTART DELAY TIMER FACTORY SET TO 3 SECONDS. MAX SETTING 99 SECONDS.
 3. PRESS 'NEXT' TO MOVE THROUGH SETUP SCREENS. PRESS 'INC/DEC' TO CHANGE SETTINGS. SEE MANUAL FOR MORE DETAILS.
 4. MOMENTARY CONTACT. RUNS FOR MIN RUN TIME IF RESET PRESSURE IS SATISFIED. USE MAINTAINED CONTACT FOR CONTINUOUS RUNNING.



LISTED

ALARM CONTACTS CONTACT RATING: 5A MAX. AT 240VAC OR 28VDC

