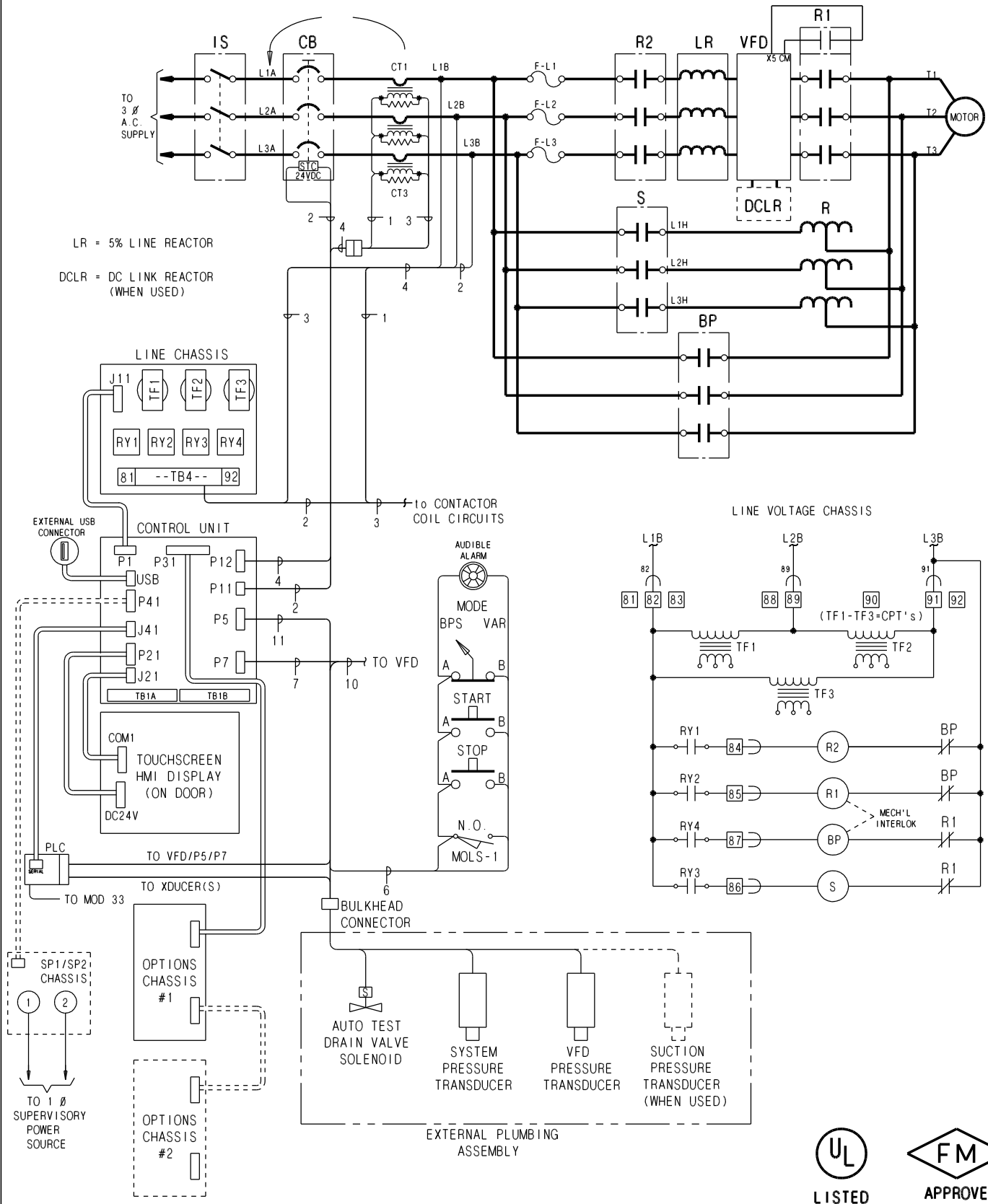


# MCVR Variable Speed Fire Pump Controller

# MASTER



**Master Control Systems Inc.**  
LAKE BLUFF, ILLINOIS U.S.A.

MODEL MCVR SCHEMATIC DIAGRAM  
PRIMARY REACTOR BYPASS - G4

Date 8 June 2016

Drawing 20243

Issue 1