

MCV Variable Speed Fire Pump Controller

MASTER

Model	Short Circuit Current Rating	Maximum Horsepower			
		200/208	220-240	380/415	440-480
MCVR MCVS	100,000A	150	150	350	400

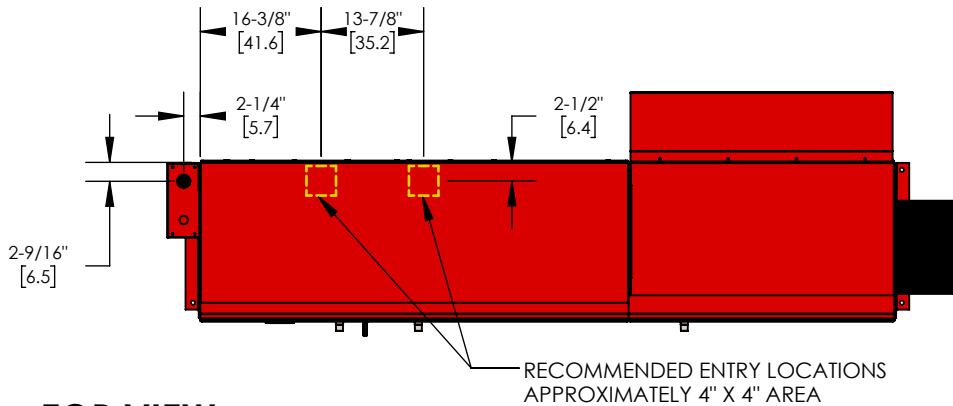
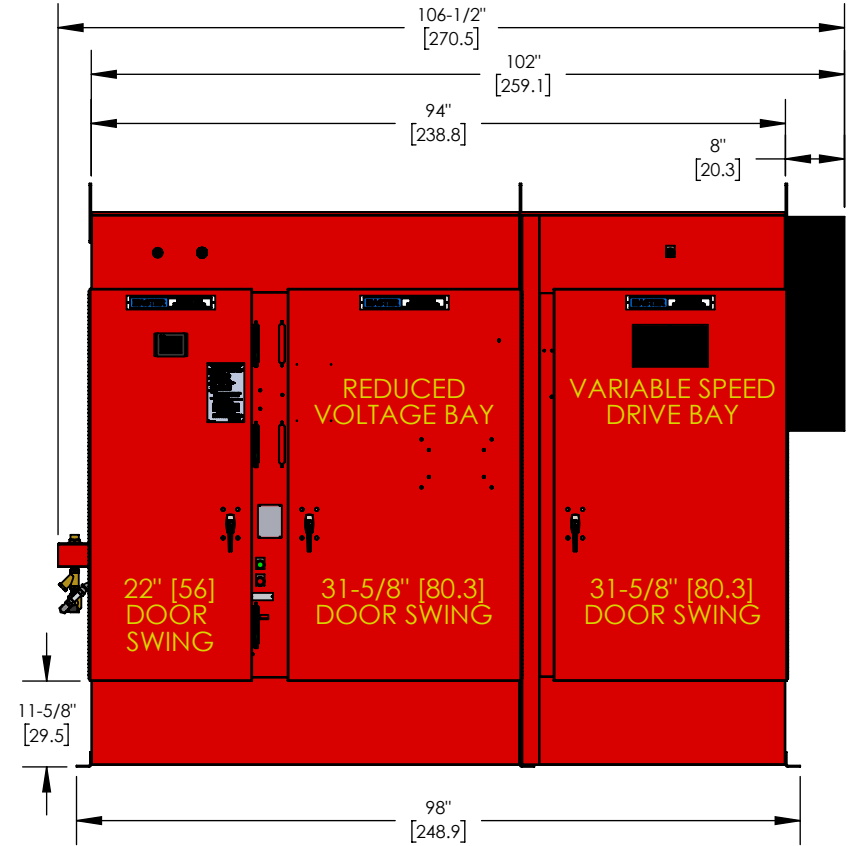
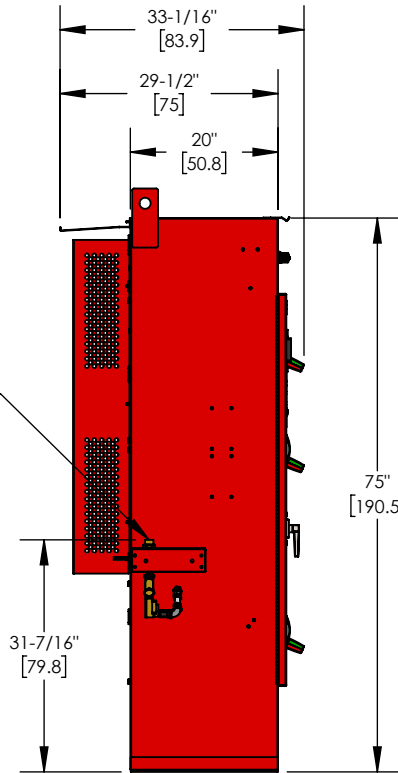


1/2" FEMALE N.P.T.
NOMINAL (TRADE SIZE)
AMERICAN STD. TAPERED
PIPE THREAD

NOTES:

- CONSTRUCTION: NEMA TYPE 12
- FINISH: FIRE PUMP RED
- CONDUIT ENTRANCE: CONDUIT ENTRY ON TOP OR BOTTOM.
- PROTECT EQUIPMENT FROM DRILLING CHIPS
- CONDUIT HUBS: WATERPROOF HUBS REQUIRED FOR TOP ENTRY
- ACCESS: FRONT
- MOUNTING: FLOOR MOUNT
- SHIPPING WEIGHT: 1,750 LBS. (794 KG) MAX.

DIMENSIONS IN INCHES AND [CENTIMETERS]



TOP VIEW

