

# MC Single Source Fire Pump Controller

**MASTER**

MODEL	SHORT CIRCUIT CURRENT RATING	MAXIMUM HORSEPOWER				
		200/208	220-240	380/415	440-480	550-600
MCA	100,000A	40	50*	75/100	100	125
MCP		60	60	100/125	150	150
MCO	100,000A	60	60	100/125	150	150

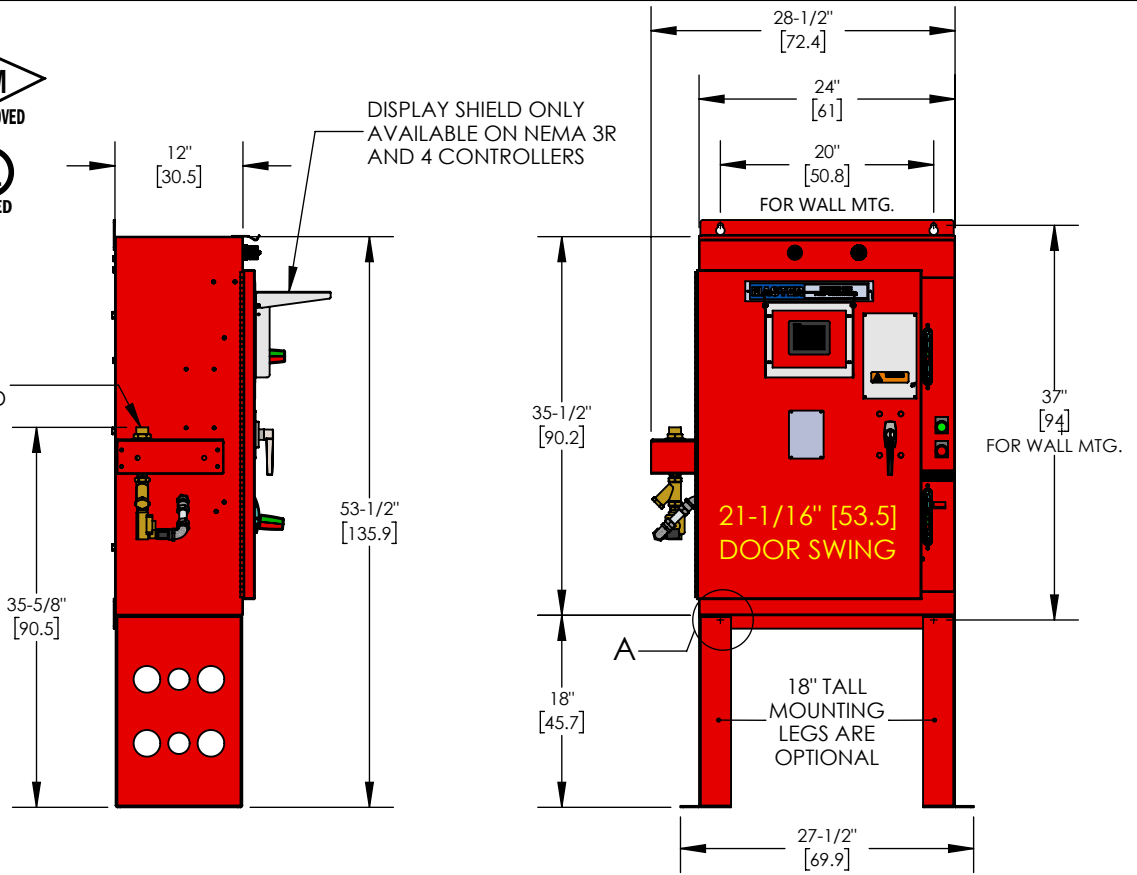


\* MOD. 30, SINGLE PHASE 15HP

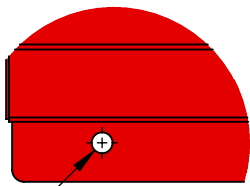
**NOTES:**

- CONSTRUCTION:** NEMA TYPE 2, 12, 3R, AND 4
- FINISH:** FIRE PUMP RED
- CONDUIT ENTRANCE:** CONDUIT ENTRY ON TOP OR BOTTOM PROTECT EQUIPMENT FROM DRILLING CHIPS
- CONDUIT HUBS:** WATERPROOF HUBS REQUIRED FOR TOP ENTRY
- ACCESS:** FRONT
- MOUNTING:** WALL MOUNT OR FLOOR MOUNT WITH OPTIONAL LEGS
- SHIPPING WEIGHT:** 220 LBS. (99.8 KG) MAX.

DIMENSIONS IN INCHES AND [CENTIMETERS]



**DETAIL A SCALE 1 : 4**



Ø7/16" [1.1] WALL MTG. HOLE (4) PLACES

DETAIL SHOWS HOLE FOR WALL MOUNTING IF OPTIONAL LEGS ARE NOT USED. TYP. BOTH SIDES

