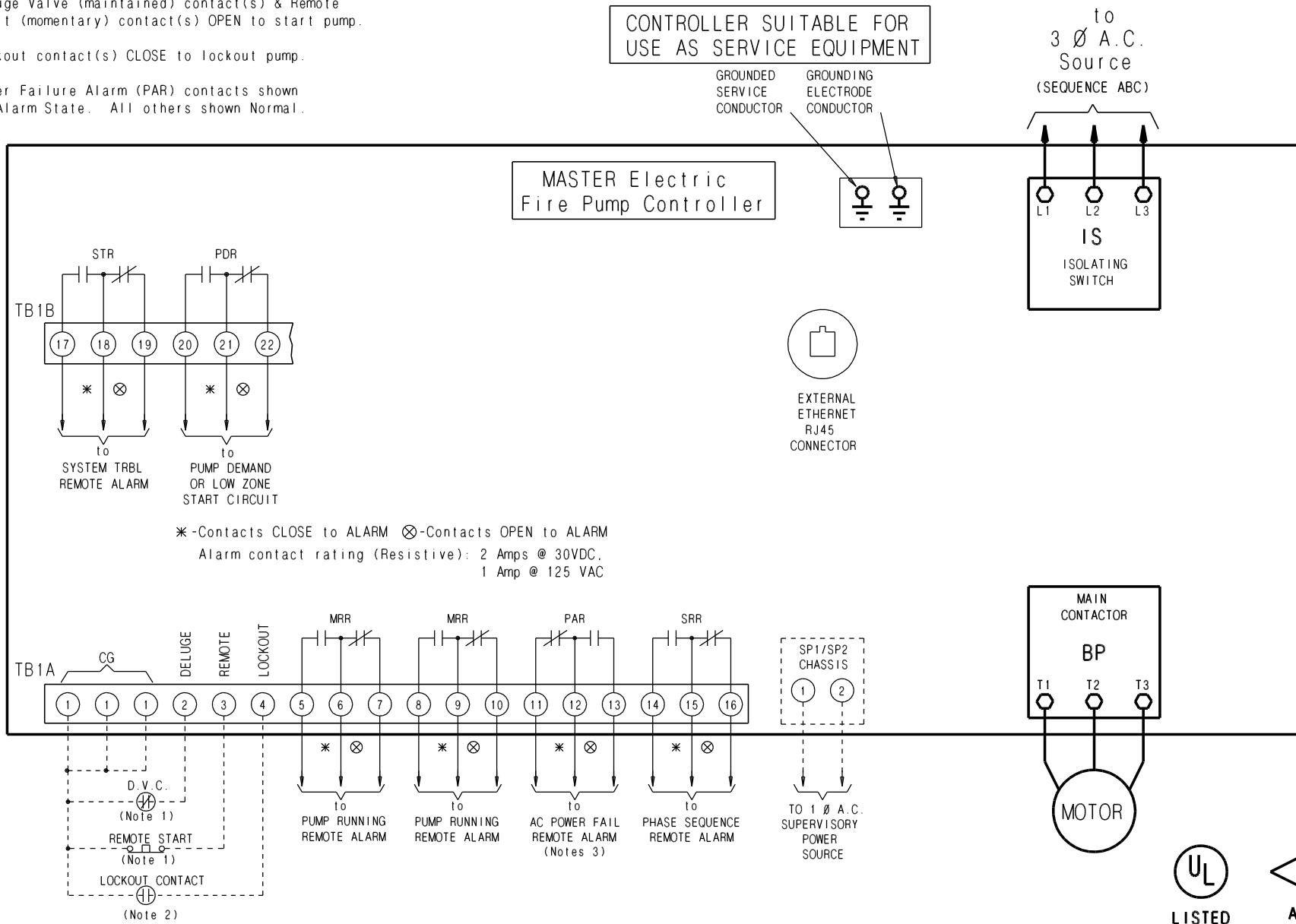


ECVR Variable Speed Fire Pump Controller

MASTER

Notes:

- 1) Deluge Valve (maintained) contact(s) & Remote Start (momentary) contact(s) OPEN to start pump.
- 2) Lockout contact(s) CLOSE to lockout pump.
- 3) Power Failure Alarm (PAR) contacts shown in Alarm State. All others shown Normal.



Master Control Systems Inc.
LAKE BLUFF, ILLINOIS U.S.A.

MODEL ECVR EXTERNAL WIRING DIAGRAM
PRIMARY REACTOR BYPASS - G4

Date 10 Jan 2014

Drawing 21123

Issue 2